



**Parts Manual
E24 Walk-Behind Scrubber**

For Safety When Servicing or Maintaining Machine

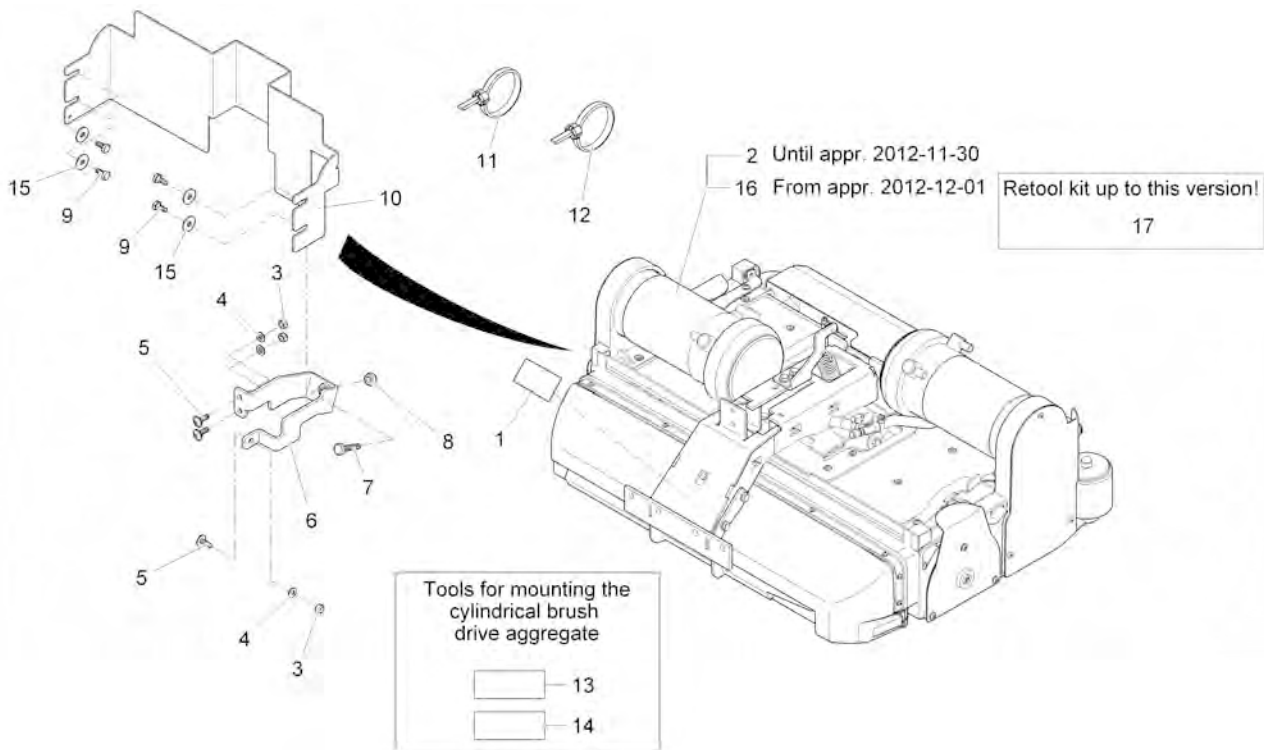
- Stop on level surface.
- Disconnect the power to the machine by pulling the red Battery Connector located under the recovery tank near the batteries.
- Avoid moving parts. Do not wear loose jackets, shirts, or sleeves when working on machine.
- Avoid contact with battery acid. Battery acid can cause burns. When working on or around batteries, wear protective clothing and safety glasses. Remove metal jewelry. Do not lay tools or metal objects on top of batteries.
- Do not clean machine with a pressure washer.
- Authorized personnel must perform repairs and maintenance. Use Minuteman supplied replacement parts.

Table of Contents

Cylindrical brush drive head 60cm.....	4
Chassis, cpl. part 1	30
Chassis, cpl. part 2	34
Chassis, cpl. part 2	38
Chassis, cpl. part 3	42
Battery tray	60
Hopper cpl. part1.....	62
Hopper cpl. part2.....	64
Suction.....	66
Squeegee operation (Available! No.: 00009000).....	68
Squeegee 950mm	71
Squeegee 950mm, cpl. (Available! No.: 01178270)	77
Operation handle.....	82
Electric part 1	86
Electrics part 2.....	90
Battery charger 24V 22A	92
Labels	94

Cylindrical brush drive head 60cm
 Rev.D 09/12

Machines manufactured before 2013



Cylindrical brush drive head 60cm (97099451-7061-31)
Rev.D 09/12

Machines manufactured before 2013

Item	Spare part number	Description	Qty.	Unit	Remarks
1	03008790	Backing film	1		
2	97099444-7061-31	Cylindrical brush drive head cpl.	Page	6	See Sub Assemblies
3	12040051	Hex. Nut	2		
4	12310041	Washer	3		
5	11177136	Lens flange screw	3		
6	96121793	Retainer	1		
7	11038395	Hexagon screw	1		
8	12040069	Hex. Nut	1		
9	11038197	Hexagon screw	4		
10	01170080	Sheet metal	1		
11	828062	Cable tie	6		
12	361218	Cable tie	4		
13	03006790	Wiring harness to error reset	1		see Circular letter KUD 26 (2006-12-01)
14	01078870	Adjusting kit BRUSHES AGGREGATE	1		see Circular letter KUD 26 (2006-12-01)
15	12332029	Washer	4		
16	97119150	Cylindrical brush drive head cpl.	Page	17	
17	01276800	Roll brush head	1		For older machines: Retool kit up to the new version from 12/2012!

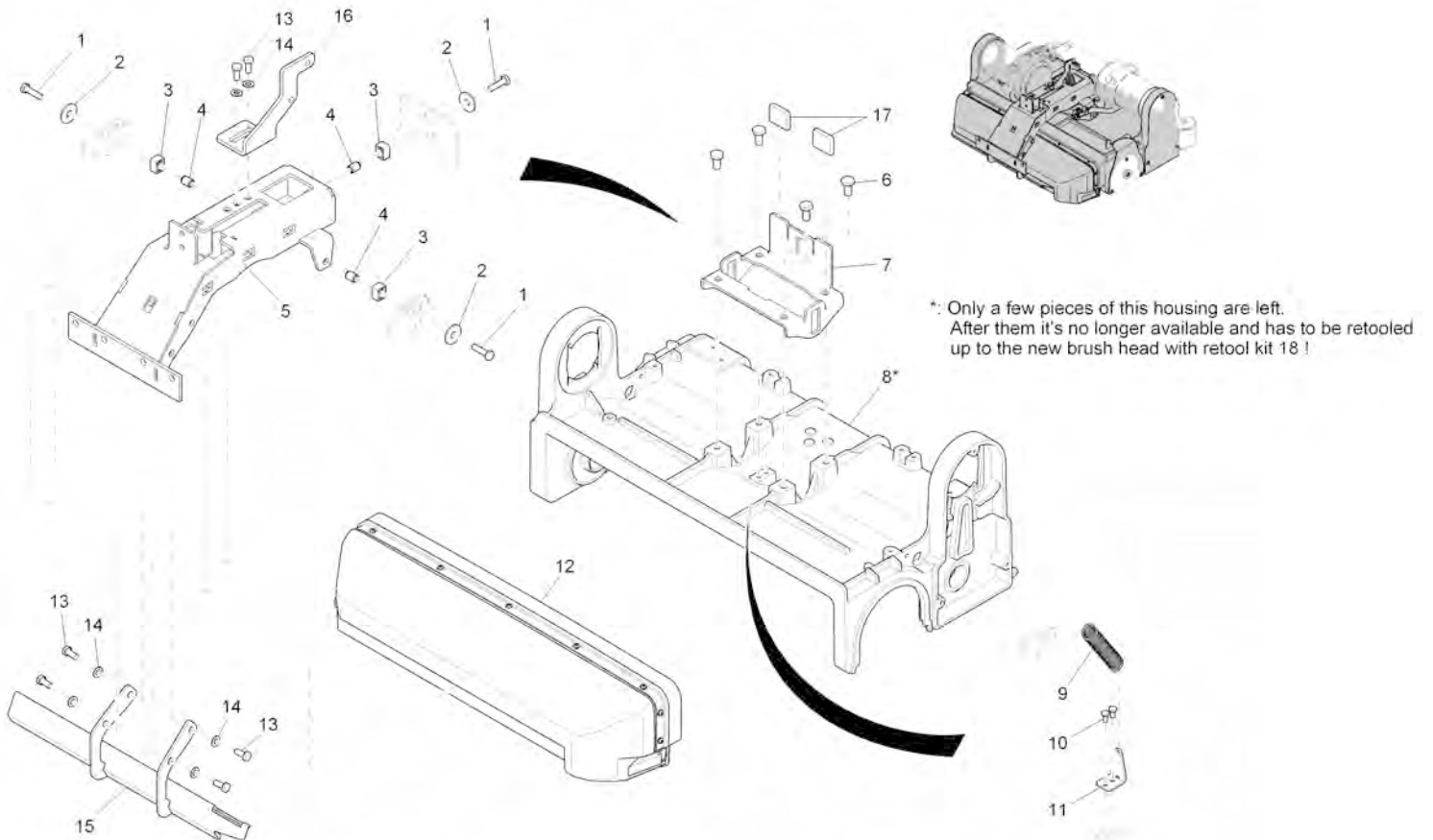
Cylindrical brush drive head cpl. (97099444-7061-31)
Rev.D 09/12

Machines manufactured before 2013

Assembly	Description	Page
97099444-1	Cylindrical brush drive head cpl., part 1	7
97099444-2-7061-31	Cylindrical brush drive head cpl., part 2	11
97099444-3	Cylindrical brush drive head cpl., part 3	15

Cylindrical brush drive head cpl., part 1
Rev.D 09/12

Machines manufactured before 2013

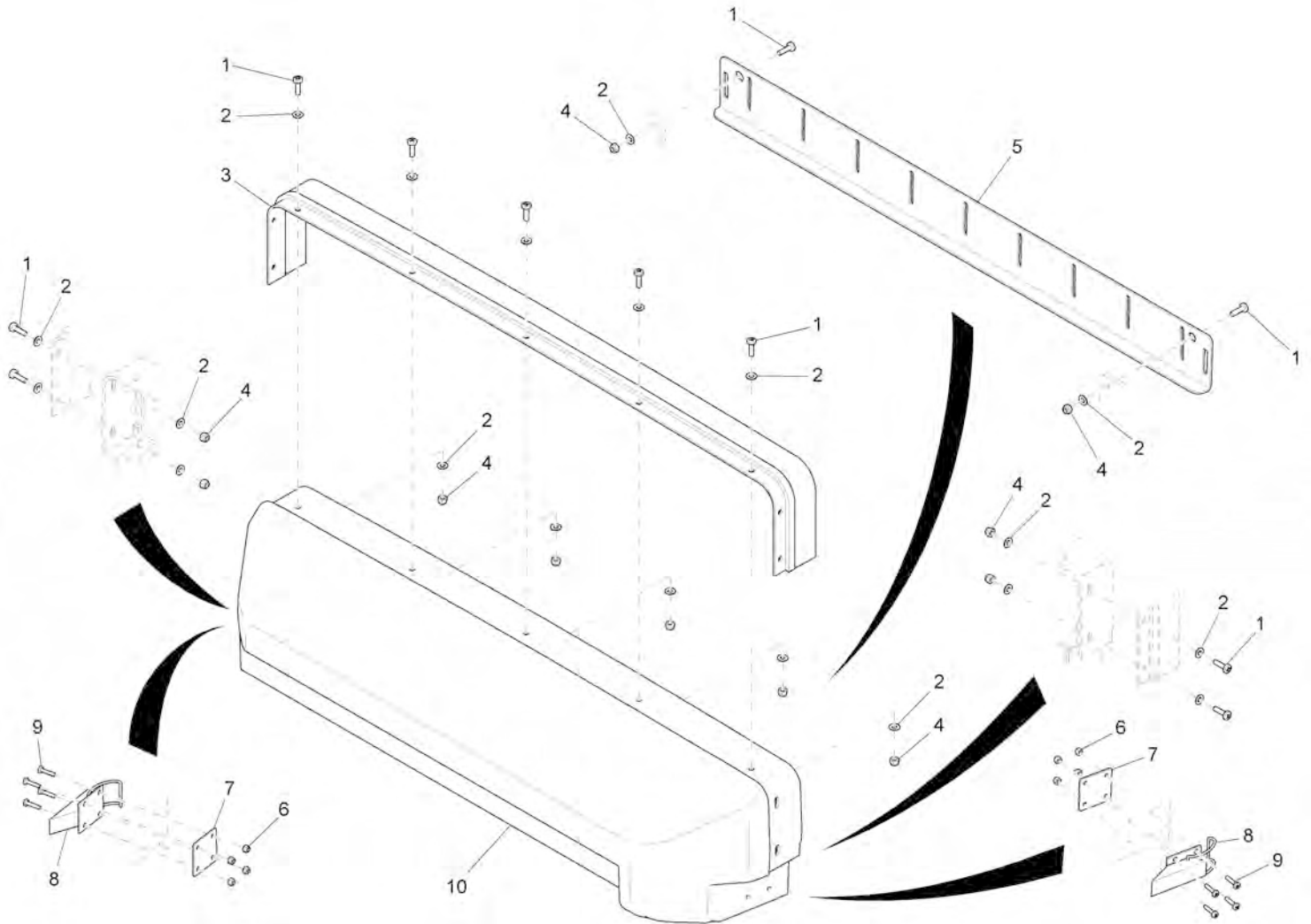


Cylindrical brush drive head cpl., part 1 (97099444-1)
Rev.D 09/12

Machines manufactured before 2013

Item	Spare part number	Description	Qty.	Unit	Remarks
1	11038924	Hexagon screw	3		
2	12332152	Washer	3		
3	90492851	Slide block	3		
4	90492869	Bushing	3		
5	96112453	Rocker cylindrical brush	1		
6	11039542	Hexagon screw	4		
7	01170090	Retainer	1		
8	90475740	Housing	1		Only a few pieces of this housing are left. After them it's no longer available and has to be retooled up to the new brush head with retool kit (18)
9	90441577	Tension spring	1		
10	11038742	Hexagon screw	2		
11	90519091	Angle	1		
12	97087191	Not sold as an assembly	Page 9		Order components on page 9
13	11038635	Hex.bolt	6		
14	12310041	Washer	6		
15	01078750	Guide bar	1		
16	01170100	Spring holder	1		
17	90463746	Cap	2		
18	01276800	Roll brush head	1		

Machines manufactured before 2013

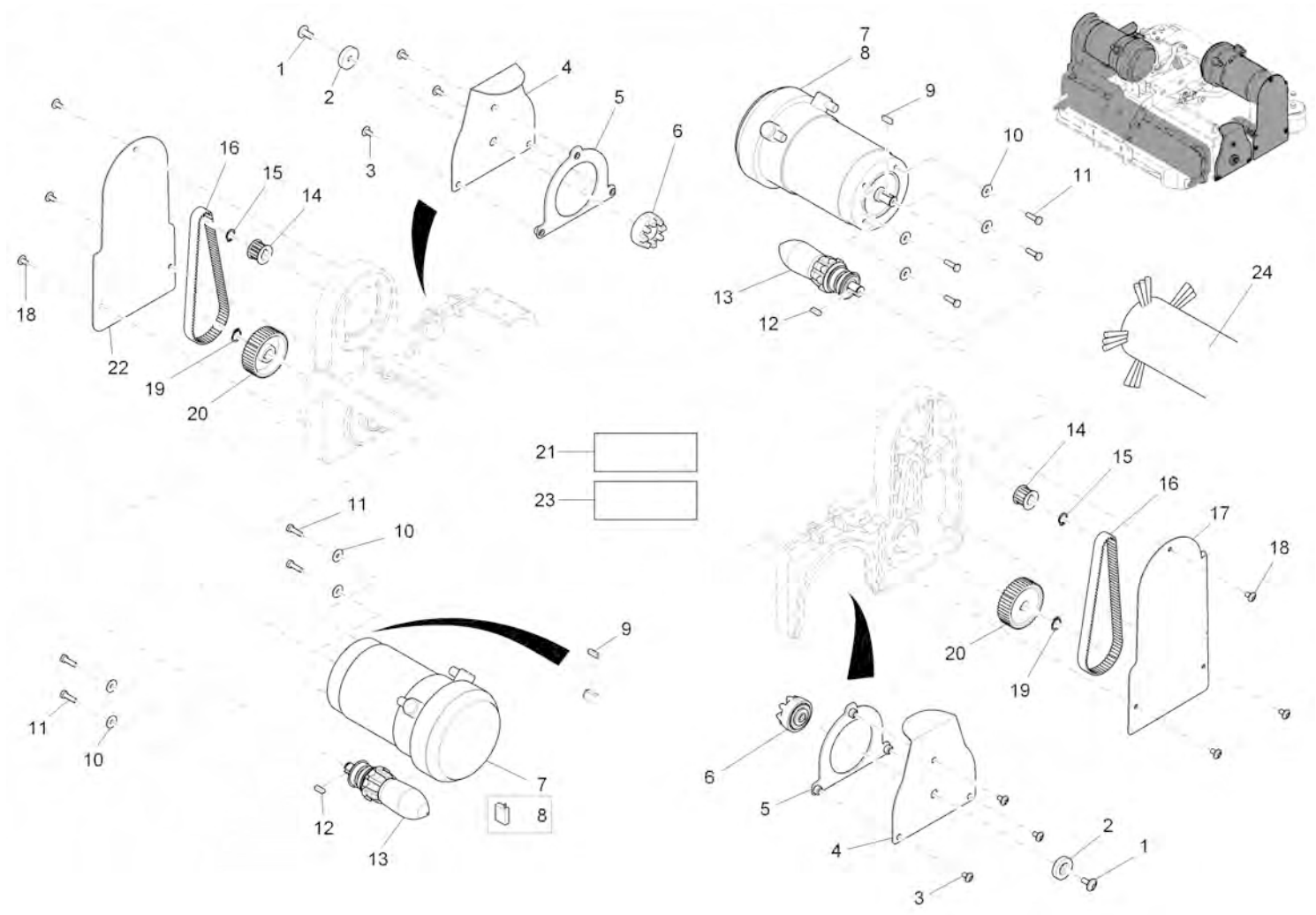


Dirt hopper cpl. (97087191)
Rev.D 09/12

Item	Spare part number	Description	Qty.	Unit	Remarks
1	01072260	Fillister-head screw	11		
2	12310272	Washer	20		
3	90472374	Broom rail	1		
4	12040234	Hex. Nut	11		
5	90472366	Sheet metal apron	1		
6	12040374	Hex. Nut	8		
7	90435884	Plate	2		
8	17383191	Lock	2		
9	11175452	Fillister-head screw	8		
10	96105275	Dirt container	1		

Cylindrical brush drive head cpl., part 2
Rev.D 09/12

Machines manufactured before 2013



Cylindrical brush drive head cpl., part 2 (97099444-2-7061-31)
Rev.D 09/12

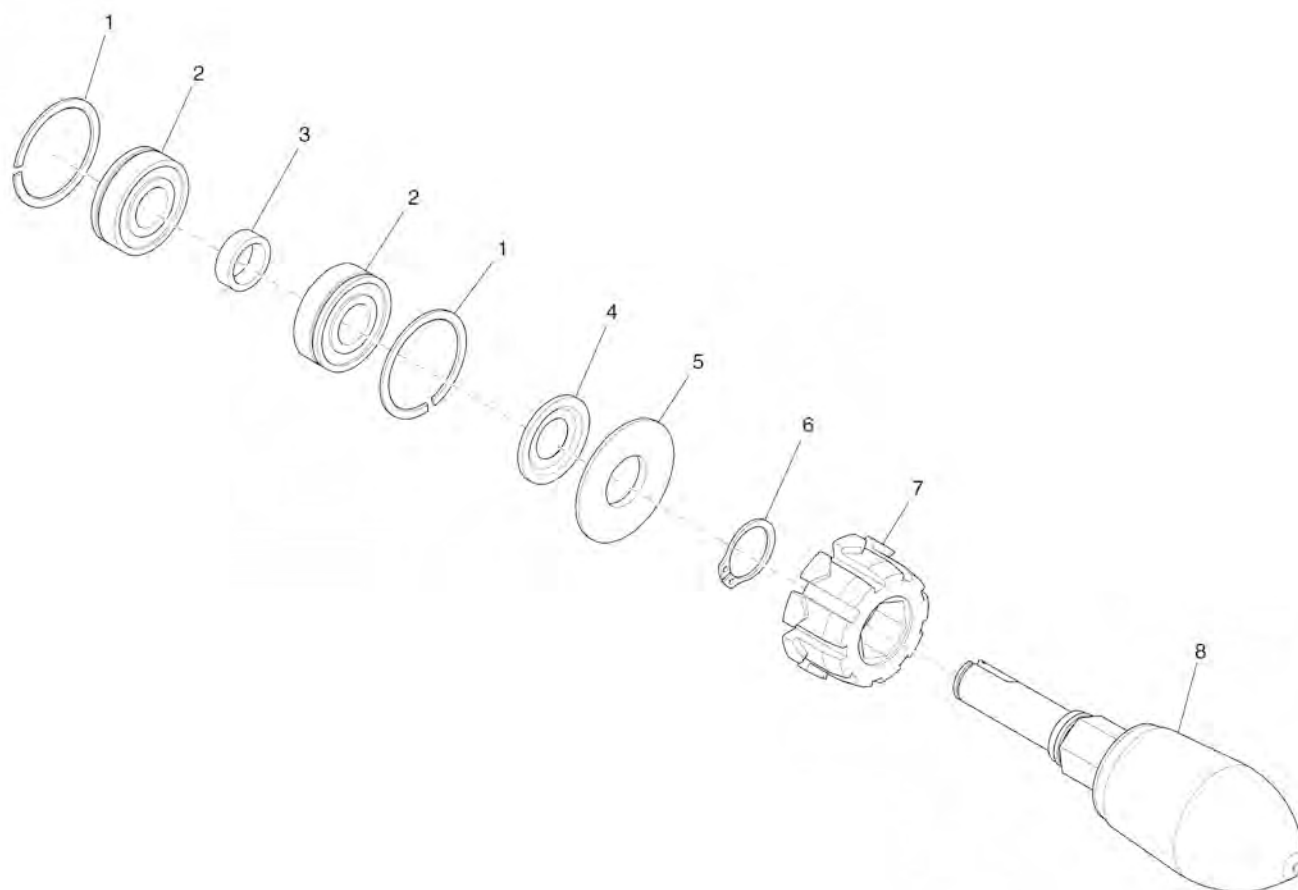
Machines manufactured before 2013

Item	Spare part number	Description	Qty.	Unit	Remarks
1	11177187	Lens flange screw	2		
2	90464058	Washer	2		
3	11177179	Lens flange screw	6		
4	90454117	Side cover	2		
5	96098264	Centering bend	2		
6	96101985	Bearing	2		
7	90472390	Motor	2		
8	00553060	Set (4pc.) carbon brush	4		
9	00022430	Feather key	2		
10	12332011	Washer	8		
11	11038098	Hexagon screw	8		
12	13540549	Feather key	2		
13	01072560	Carrier, cpl.	Page	13	
14	90409210	Toothed belt pulley	2		
15	12610234	Retaining ring	2		
16	16423055	Toothed belt	2		
17	90532888	Sheet metal R.H.	1		
18	11177179	Lens flange screw	6		
19	12610069	Retaining ring	2		
20	90409244	Toothed belt pulley	2		
21	03007980	Wiring harness W13	1		
22	90463340	Sheet metal L.H.	1		
23	03007990	Wiring harness W14	1		
24	7021	Brush set cyl. (standard brushes)	1		See price list for additional options

Machines manufactured before 2013



Carrier, cpl.
Rev.D 09/12



Machines manufactured before 2013



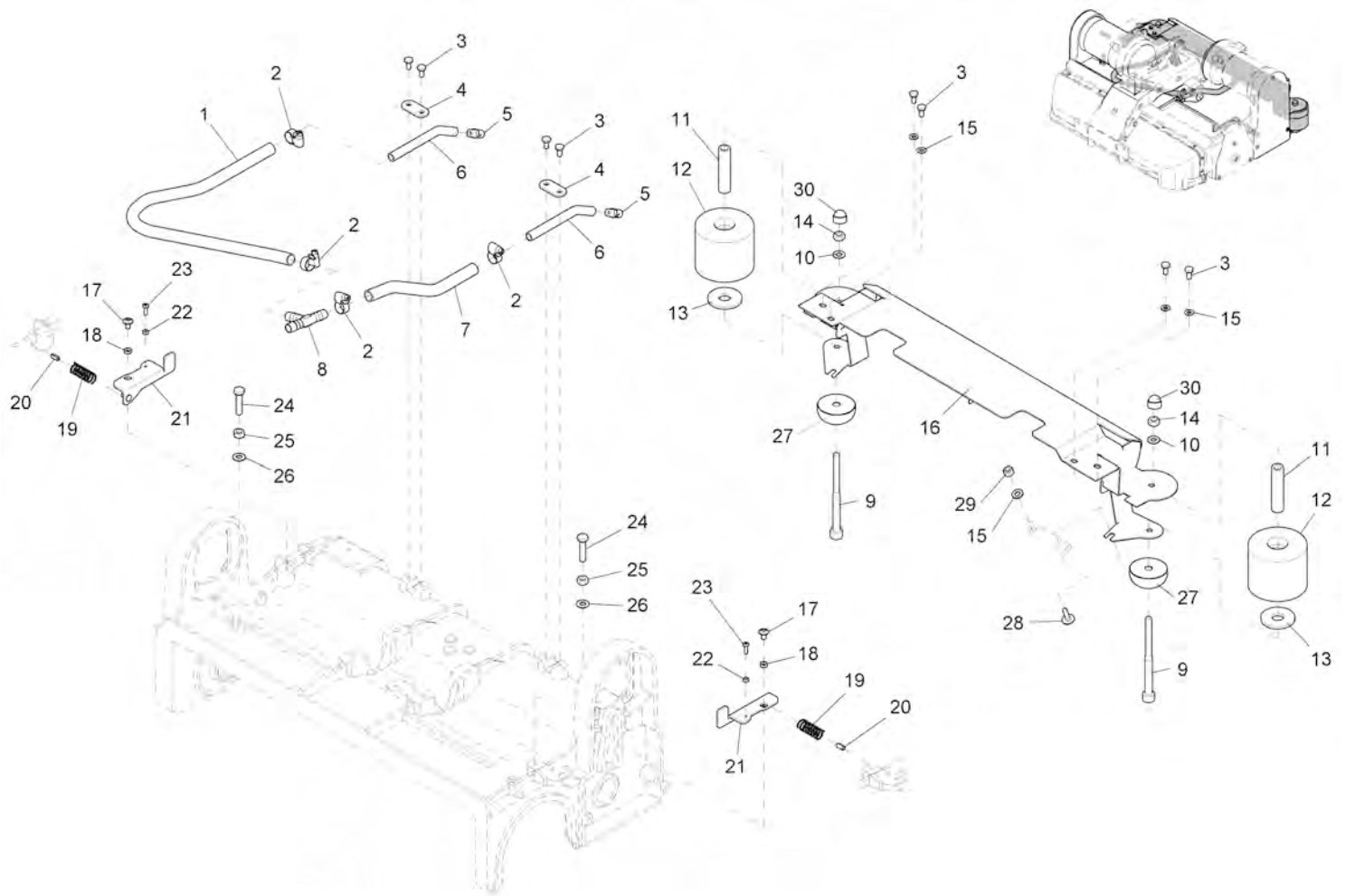
Carrier, cpl. (01072560)
Rev.D 09/12

Item	Spare part number	Description	Qty.	Unit	Remarks
1	01078820	Circlip	2		
2	14110853	Grooved ball bearing	2		
3	90409665	Bushing	1		
4	14678064	Ring	1		
5	01077550	Bushing	1		
6	12610093	Retaining ring	1		
7	90423666	Bushing	1		
8	90416777	Retainer	1		

Machines manufactured before 2013



Cylindrical brush drive head cpl., part 3 Rev.D 09/12



Machines manufactured before 2013



Cylindrical brush drive head cpl., part 3 (97099444-3)
 Rev.D 09/12

Item	Spare part number	Description	Qty.	Unit	Remarks
1	25842097	Hose - sold by the meter	520mm		
2	1753310	Hose clamp	4		
3	11038742	Hexagon screw	8		
4	90430885	Clamping sheet metal	2		
5	90429952	Jet - Black	2		Modified 90311663-1 White
6	90440884	Pipe	2		
7	25842097	Hose - Sold by the meter	240mm		
8	90310681	T-piece	1		
9	11126505	Socket head screw	2		
10	12310041	Washer	4		
11	90519828	Pipe	2		
12	90315334	Roller	2		
13	00132610	Washer	2		
14	12040051	Hex. Nut	2		
15	12310256	Washer	6		
16	01078810	Cross beam	1		
17	11177179	Lens flange screw	2		
18	90437450	Bushing	2		
19	13050299	Cyl.compression spring	2		
20	13050299	Dowel pin	2		
21	96098611	Lever, cpl.	2		
22	12022570	Hex. Nut	2		
23	01072260	Fillister-head screw	2		
24	11039500	Hex.bolt	2		
25	00971400	Hex. Nut	2		
26	730609	Washer	2		
27	90533696	Stop	2		
28	01015340	Lens flange screw	2		
29	12040044	Hex. Nut	2		
30	15592033	Lens cap	2		

Machines manufactured after 2012

Cylindrical brush drive head cpl. (97119150)
(2012-12-01 ->)
Rev.D 09/12



Assembly	Description	Page
97119150-1	Cylindrical brush drive head cpl., part 1 - not sold as an assembly	18
97119150-2	Cylindrical brush drive head cpl., part 2 - not sold as an assembly	22
97119150-3	Cylindrical brush drive head cpl., part 3 - not sold as an assembly	26

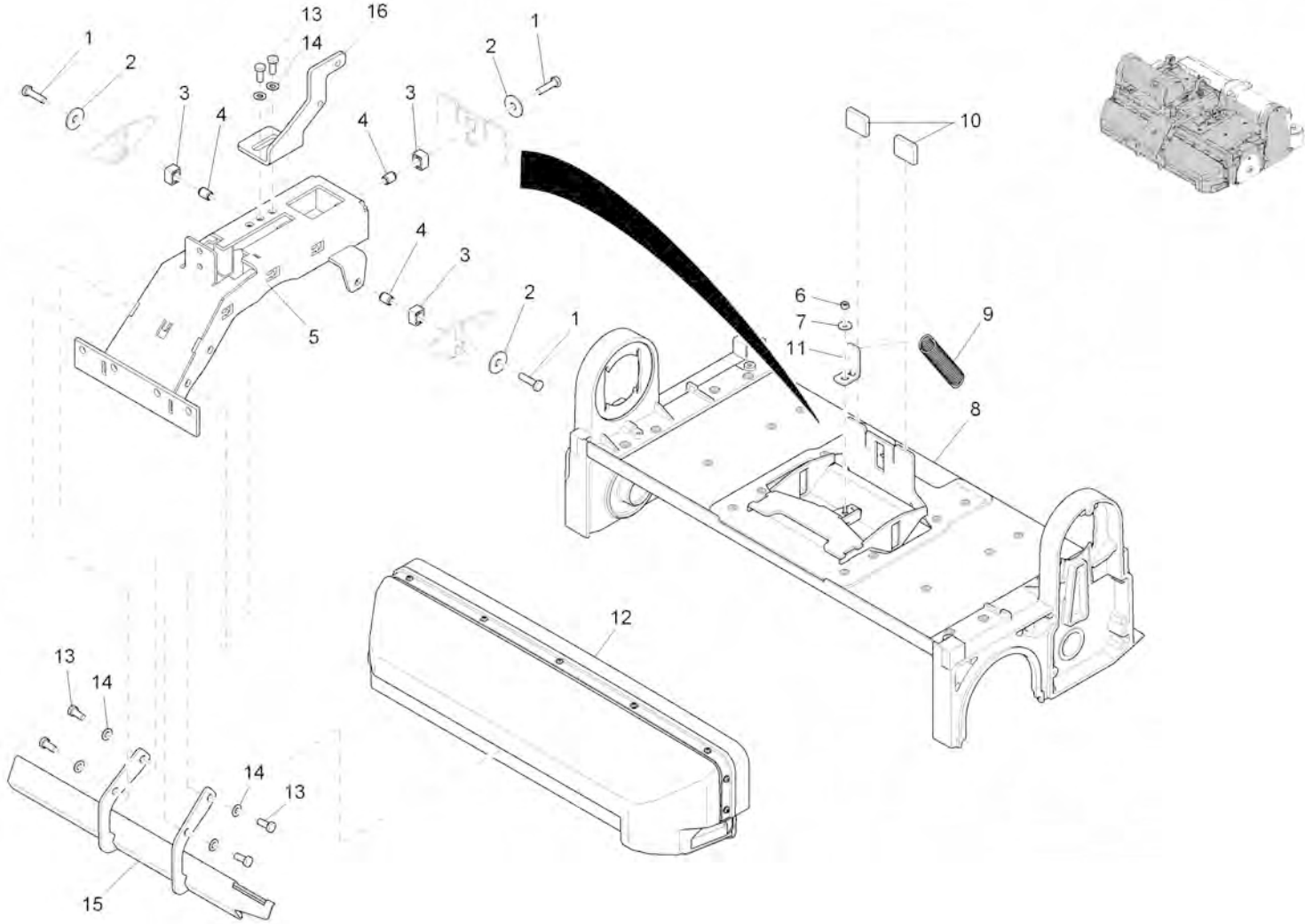
Machines manufactured after 2012

New stainless and cast aluminum housing



Cylindrical brush drive head cpl., part 1

Rev.D 09/12



Machines manufactured after 2012

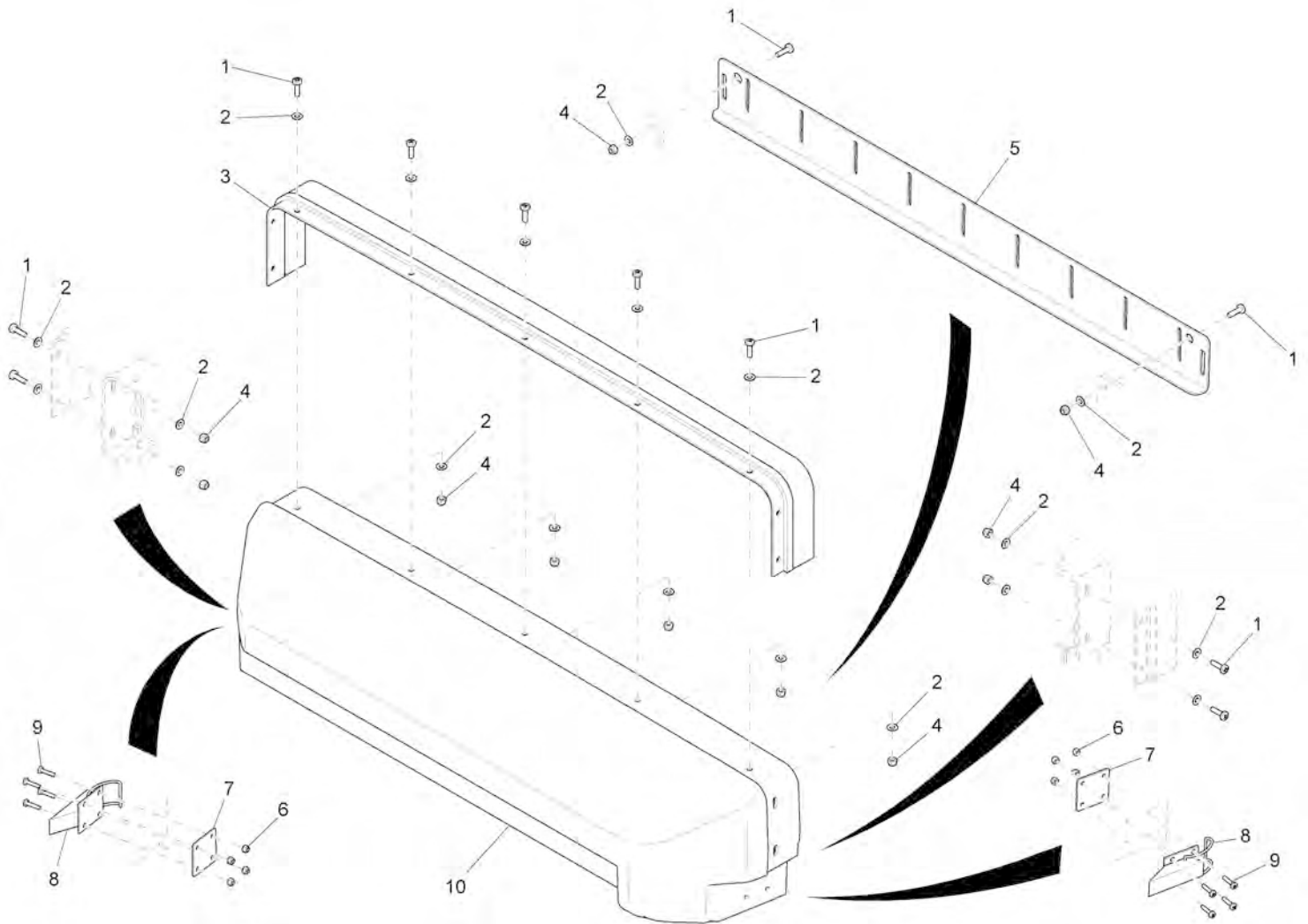


Cylindrical brush drive head cpl., part 1 (97119150-1)
 Rev.D 09/12

Item	Spare part number	Description	Qty.	Unit	Remarks
1	11038924	Hexagon screw	3		
2	12332152	Washer	3		
3	90492851	Slide block	3		
4	90492869	Bushing	3		
5	96136155	Rocker	1		
6	12040242	Hex. Nut	1		
7	12332094	Washer	1		
8	96136197	Roll brush head 600	1		
9	90441577	Tension spring	1		
10	90463746	Cap	2		
11	---	Spare part on request	1		90610775 Angle
12	97087191	Dirt hopper - Not sold as an assembly	Page	20	
13	11038635	Hex.bolt	6		
14	12310041	Washer	6		
15	96112297	Guide bar	1		
16	01170100	Spring holder	1		

Machines manufactured after 2012

Dirt hopper cpl.
Rev.D 09/12



Machines manufactured after 2012



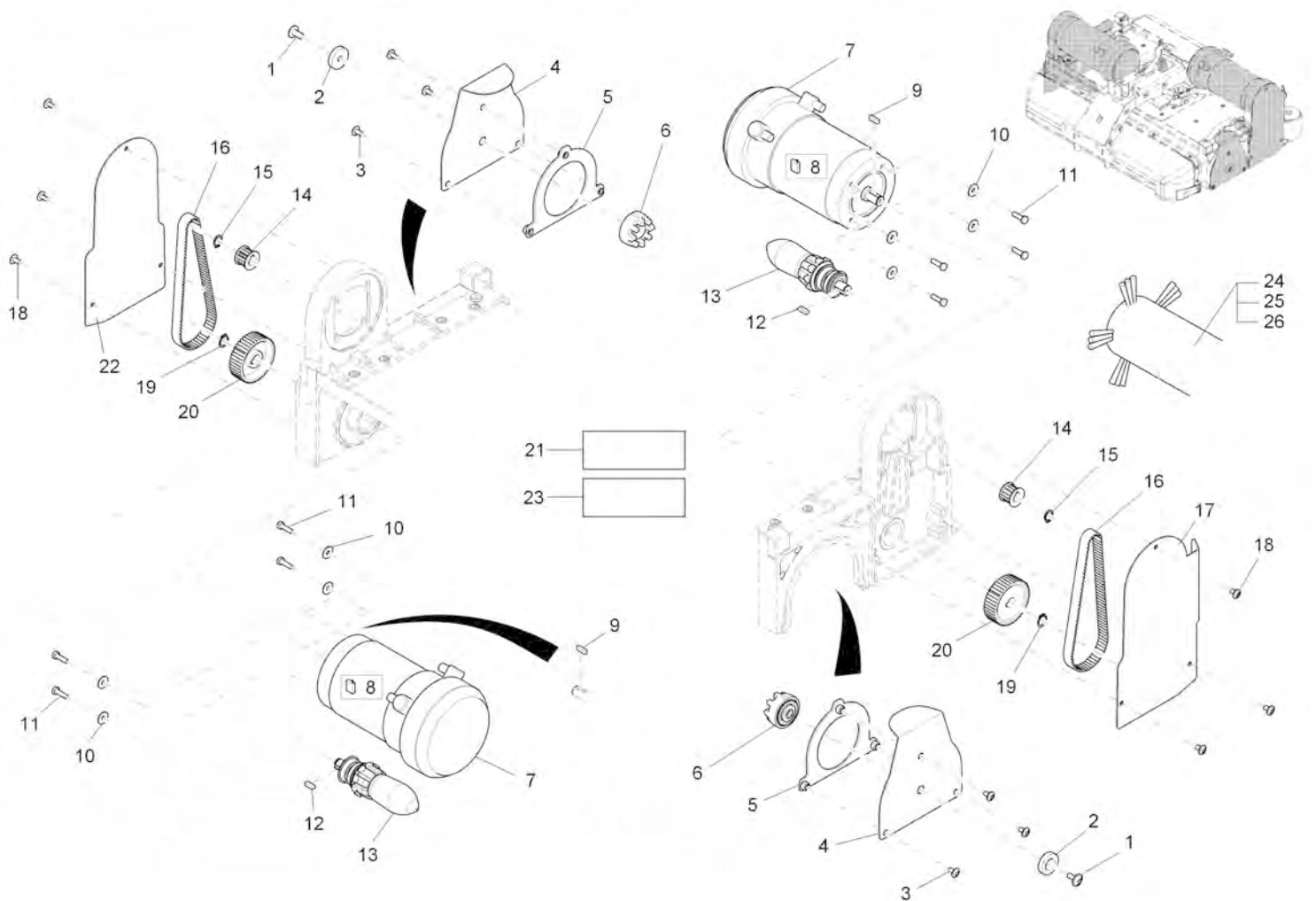
Dirt hopper cpl. (97087191)
Rev.D 09/12

Item	Spare part number	Description	Qty.	Unit	Remarks
1	01072260	Fillister-head screw	11		
2	12310272	Washer	20		
3	90472374	Broom rail	1		
4	12040234	Hex. Nut	11		
5	90472366	Sheet metal apron	1		
6	12040374	Hex. Nut	8		
7	90435884	Plate	2		
8	17383191	Lock	2		
9	11175452	Fillister-head screw	8		
10	96105275	Dirt container	1		

Machines manufactured after 2012



Cylindrical brush drive head cpl., part 2 Rev.D 09/12



Machines manufactured after 2012



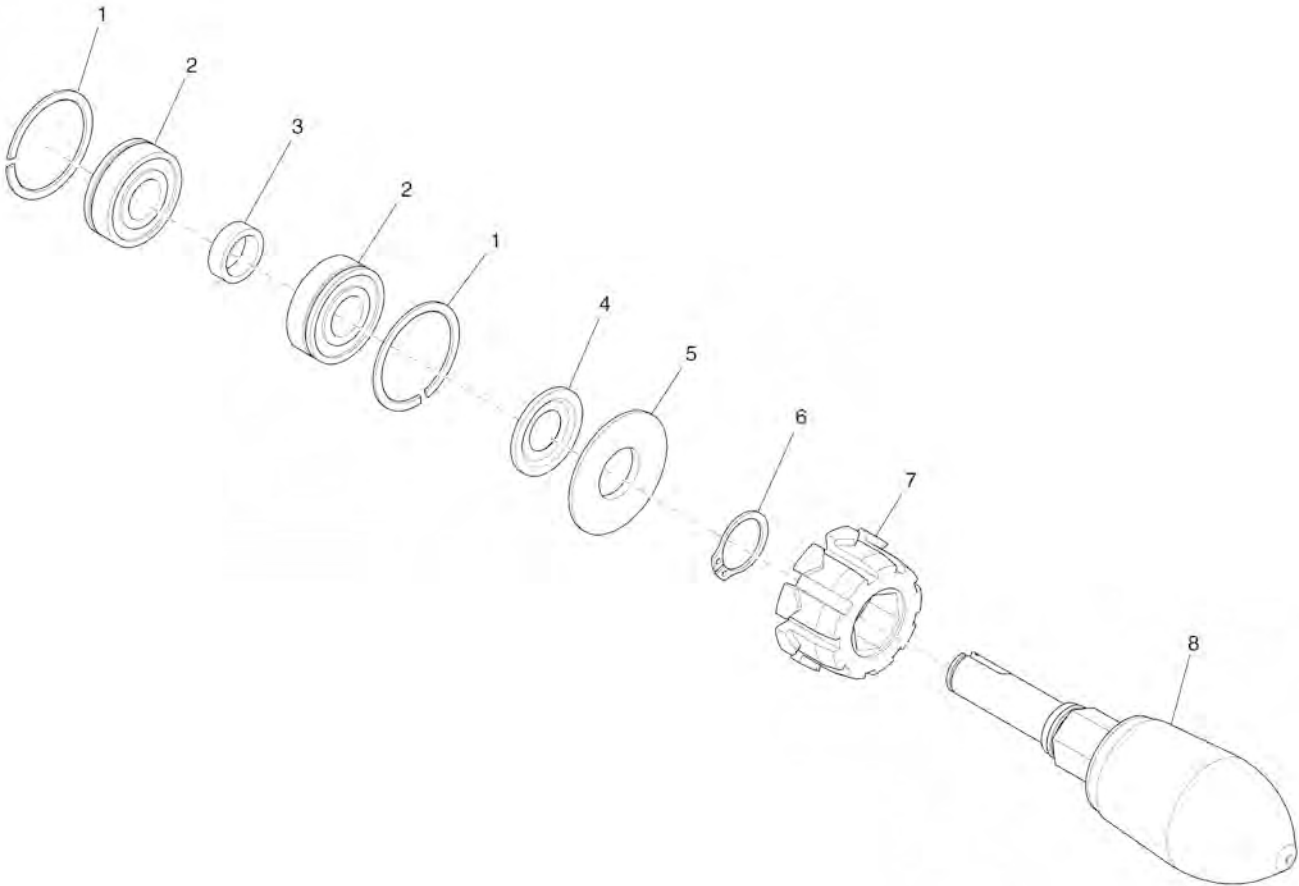
Cylindrical brush drive head cpl., part 2 (97119150-2) Rev.D 09/12

Item	Spare part number	Description	Qty.	Unit	Remarks
1	11177187	Lens flange screw	2		
2	90464058	Washer	2		
3	11177179	Lens flange screw	6		
4	90454117	Side cover	2		
5	96098264	Centering bend	2		
6	96101985	Bearing	2		
7	90472390	Motor	2		
8	00553060	Set (4pc.) carbon brush	4		
9	00022430	Feather key	2		
10	00135120	Washer	8		
11	00053020	Hexagon screw	8		
12	01072580	Feather key	2		
13	01072560	Carrier, cpl.	Page	24	
14	90409210	Toothed belt pulley	2		
15	12610234	Retaining ring	2		
16	16423055	Toothed belt	2		
17	---	Spare part on request	1		90610825 Sheet metal
18	11177179	Lens flange screw	6		
19	12610069	Retaining ring	2		
20	90409244	Toothed belt pulley	2		
21	03007980	Wiring harness W13	1		
22	01272860	Sheet metal	1		
23	03007990	Wiring harness W14	1		
24	7096	Set cyl. brushes 150 PA 0,7	1		Degree of soiling light to medium, PA 6 - 0,7
25	7099	Set cyl brush	1		Degree of soiling medium to heavy, structured flooring, SIC PA 6. 12, Kom 500
26	7094	Set of cylindrical brushes 150 Sic PA 6.	1		Very heavy soiling and basic cleaning, SIC PA 6. 12, Kom 180

Machines manufactured after 2012



Carrier, cpl.
Rev.D 09/12



Machines manufactured after 2012



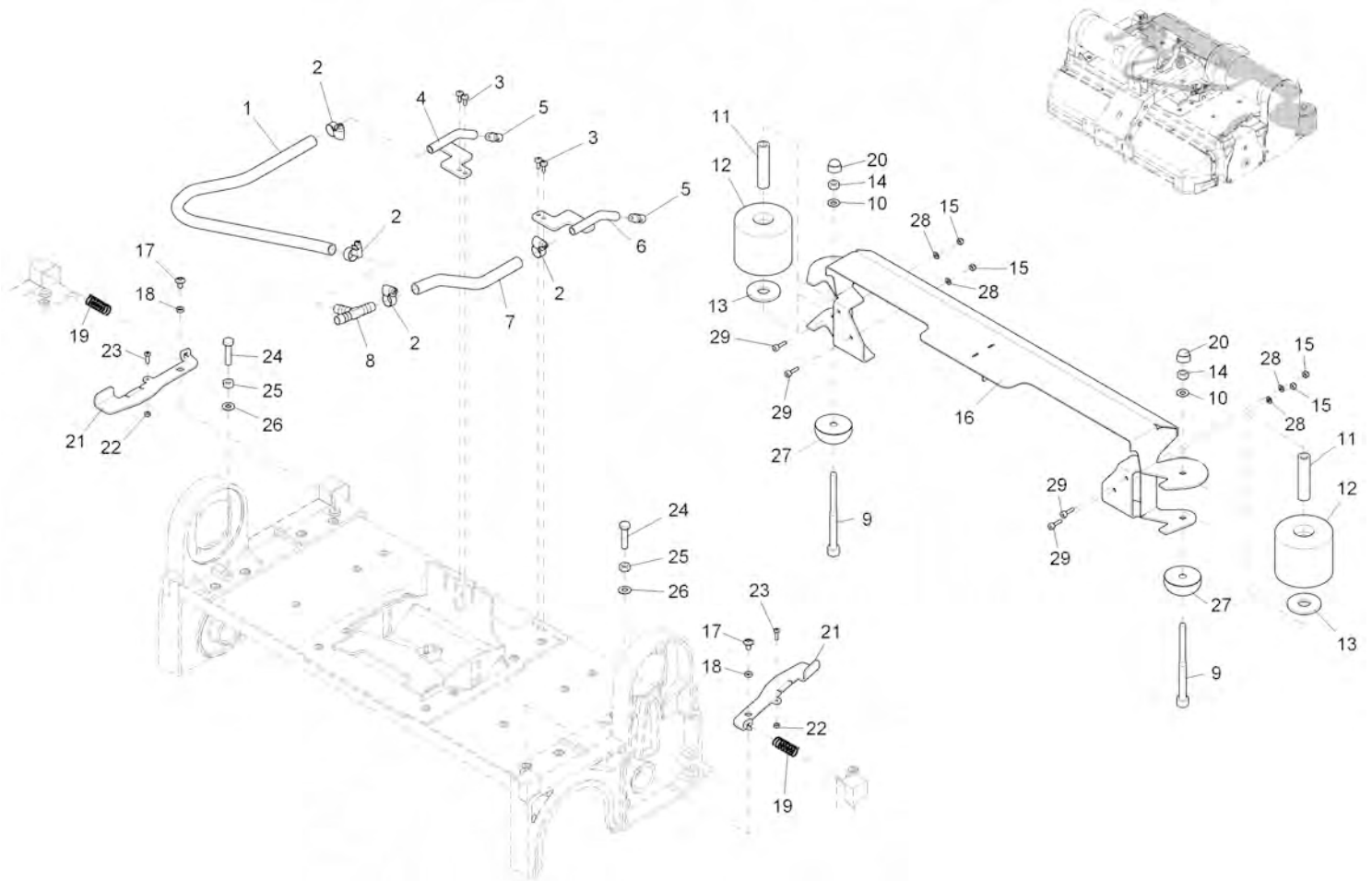
Carrier, cpl. (01072560)
Rev.D 09/12

Item	Spare part number	Description	Qty.	Unit	Remarks
1	01078820	Circlip	2		
2	14110853	Grooved ball bearing	2		
3	90409665	Bushing	1		
4	14678064	Ring	1		
5	01077550	Bushing	1		
6	12610093	Retaining ring	1		
7	90423666	Bushing	1		
8	90416777	Retainer	1		

Machines manufactured after 2012



Cylindrical brush drive head cpl., part 3 Rev.D 09/12



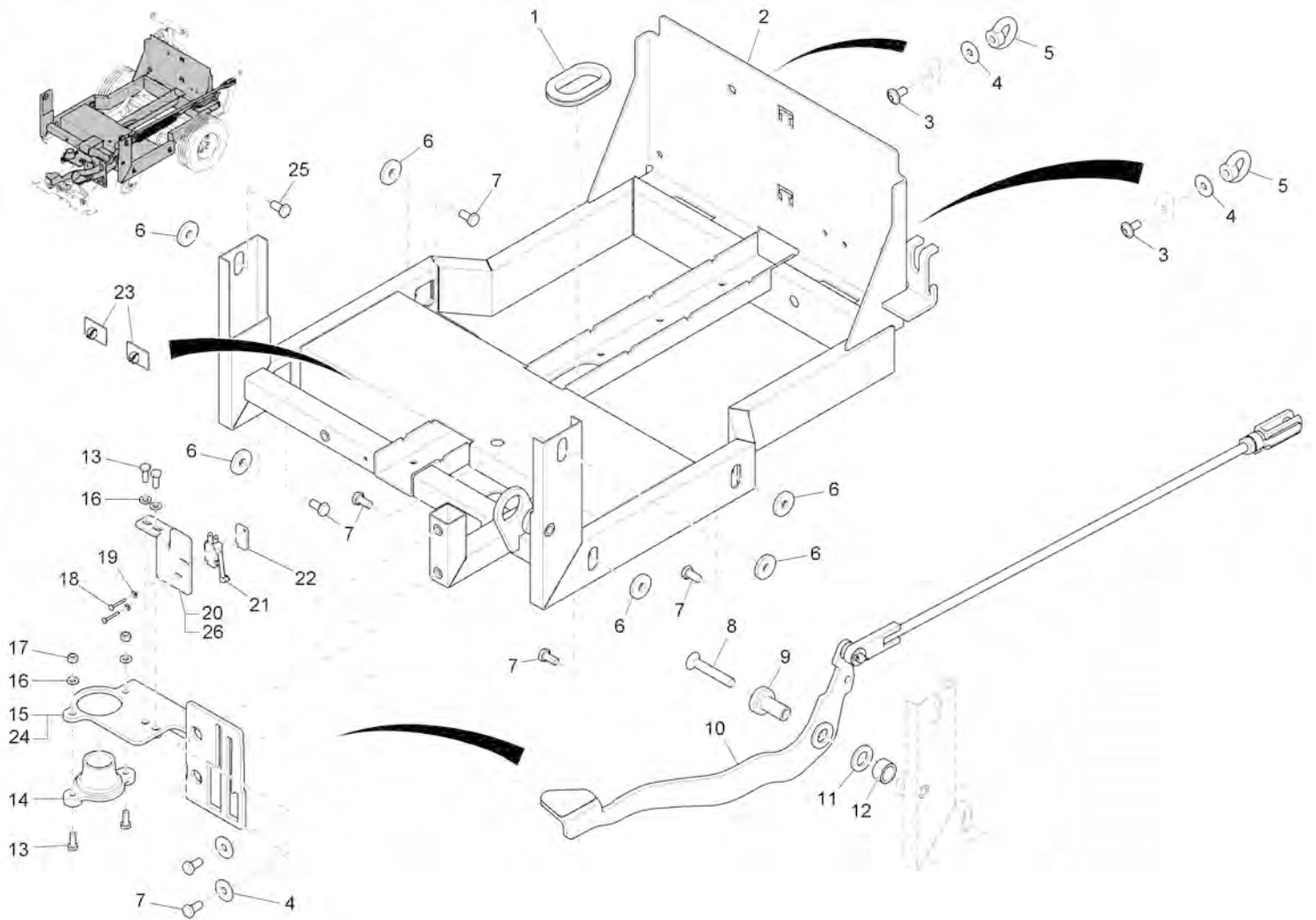
Machines manufactured after 2012



Cylindrical brush drive head cpl., part 3 (97119150-3)
 Rev.D 09/12

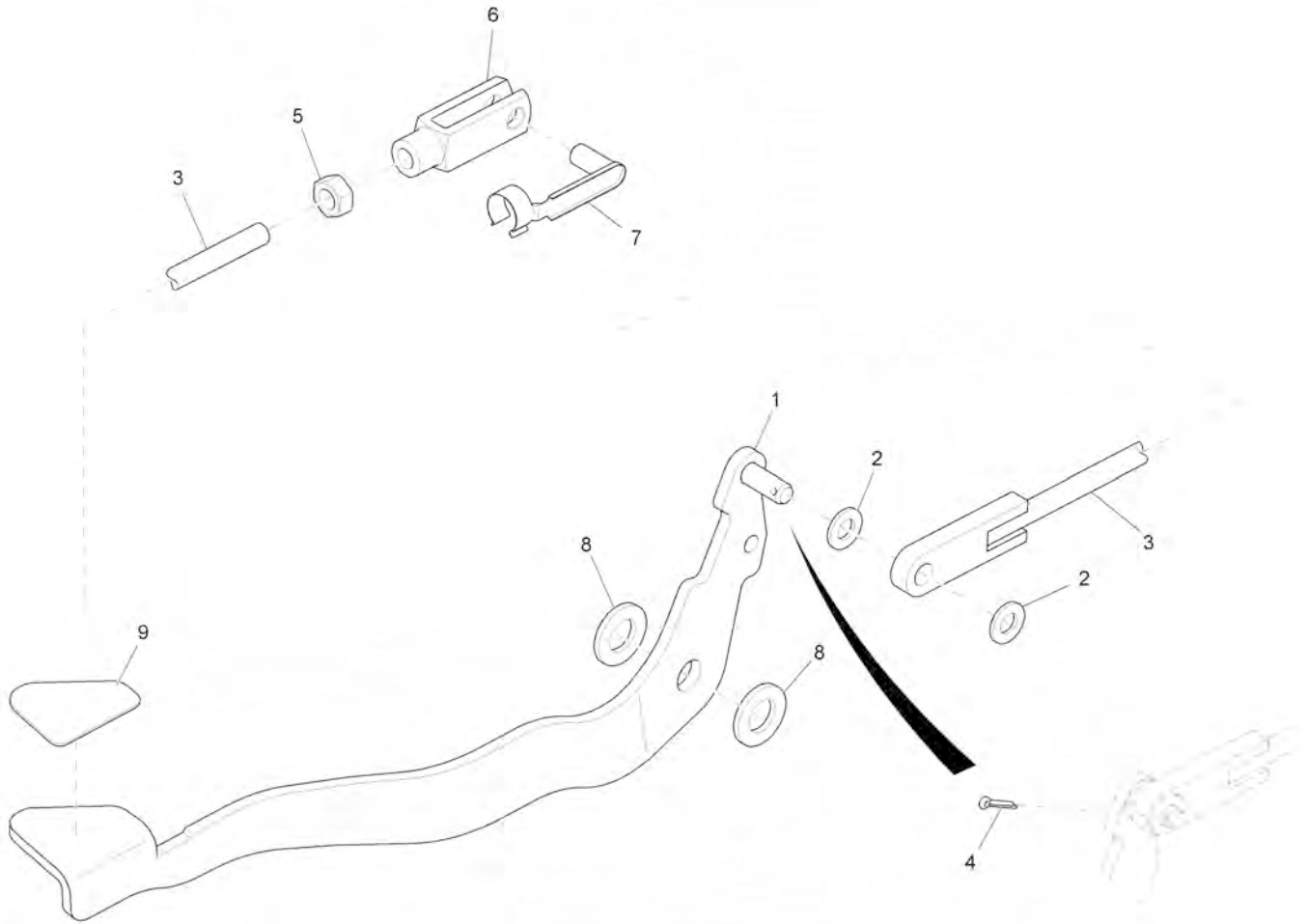
Item	Spare part number	Description	Qty.	Unit	Remarks
1	25842097	Hose	0,570		
2	17533100	Hose clamp	4		
3	00959220	Screw	4		
4	01273120	Pipe L.H.	1		
5	90429952	Jet	2		
6	01273130	Pipe R.H.	1		
7	25842097	Hose	0,240		
8	90310681	T-piece	1		
9	11126505	Socket head screw	2		
10	12310041	Washer	4		
11	90519828	Pipe	2		
12	90315334	Roller	2		
13	00132610	Washer	2		
14	12040051	Hex. Nut	2		
15	12040283	Hex. Nut	4		
16	---	Spare part on request	1		96136205 Angle
17	11177179	Lens flange screw	2		
18	90437450	Bushing	2		
19	90232372	Cyl.compression spring	2		
20	15592033	Lens cap	2		
21	01272890	Lever	2		
22	12022430	Hex. Nut	2		
23	00552300	Fillister-head screw	2		
24	11038072	Hex.bolt	2		
25	00135790	Hex. Nut	2		
26	12310082	Washer	2		
27	90533696	Stop	2		
28	00902270	Washer	4		
29	01081260	Socket head screw	4		

Chassis, cpl. part 1
Rev.D 09/12



Chassis, cpl. part 1 (97098867-1)
 Rev.D 09/12

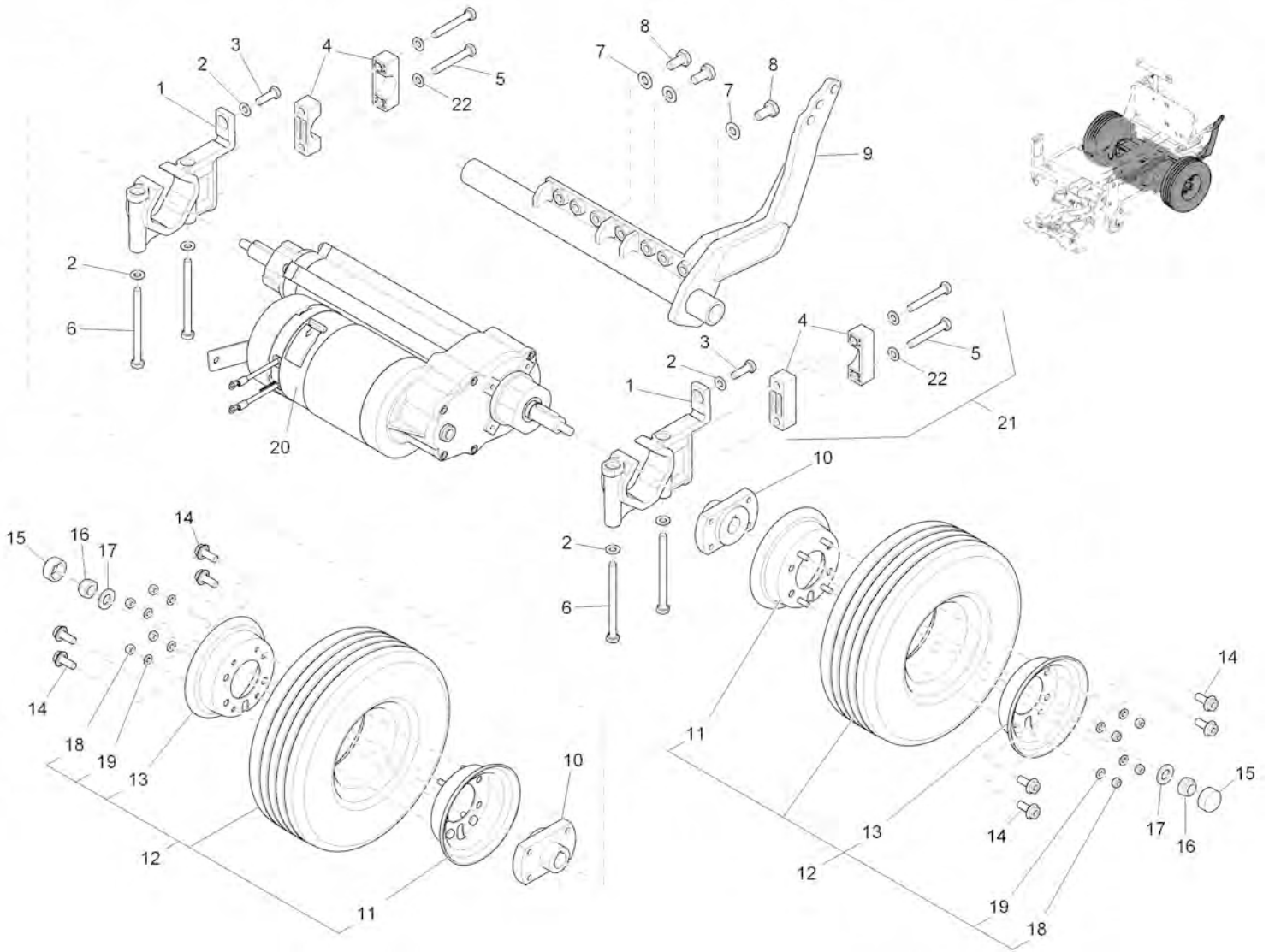
Item	Spare part number	Description	Qty.	Unit	Remarks
1	90513367	Grommet	1		
2	96116405	Chassis	1		
3	11177187	Lens flange screw	2		
4	12332029	Washer	4		
5	12160024	Nut	2		
6	90209537	Washer	6		
7	11038197	Hexagon screw	8		
8	11225620	Countersunk screw	1		
9	90509522	Bushing	1		
10	97093181	Lifting pedal	Page	32	
11	12310082	Washer	1		
12	90509027	Pipe	1		
13	11038072	Hex.bolt	6		
14	90508391	Bushing	1		
15	96117387	Sheet metal	1		until ca. June 2007
16	12310033	Washer	4		
17	12040044	Hex. Nut	2		
18	11039088	Hex.bolt	2		
19	12310132	Washer	2		
20	01078470	Retainer	1		until ca. June 2007
21	90636234	Micro switch	1		
22	90471483	Thread base plate	1		
23	17526070	Cable clip	2		
24	96117387	Sheet metal	1		from ca. July 2007
25	11038635	Hex.bolt	1		
26	90540931	Retainer	1		from ca. July 2007



Lifting pedal (97093181)
Rev.D 09/12

Item	Spare part number	Description	Qty.	Unit	Remarks
1	96117361	Lifting pedal	1		
2	12310058	Washer	2		
3	96111877	Rod	1		
4	13280110	Cotter pin	1		
5	12022067	Hex. Nut	1		
6	16055063	Fork yoke	1		
7	13390042	Bolt	1		
8	90510017	Washer	2		
9	90518580	Decal	1		

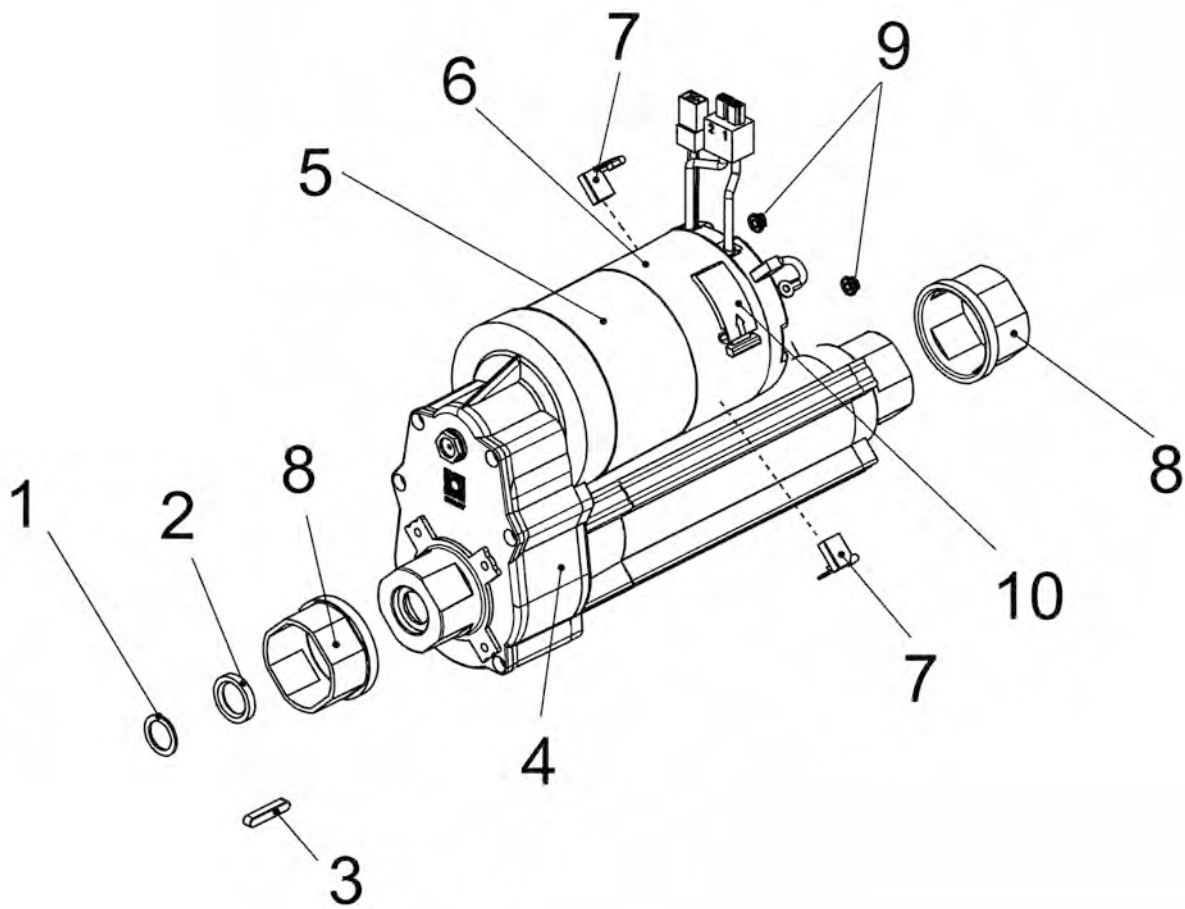
Chassis, cpl. part 2
Rev.D 09/12



Chassis, cpl. part 2 (97098867-7061-31-2 A)
 (1900-01-01 -> 2008-11-30)
 Rev.D 09/12



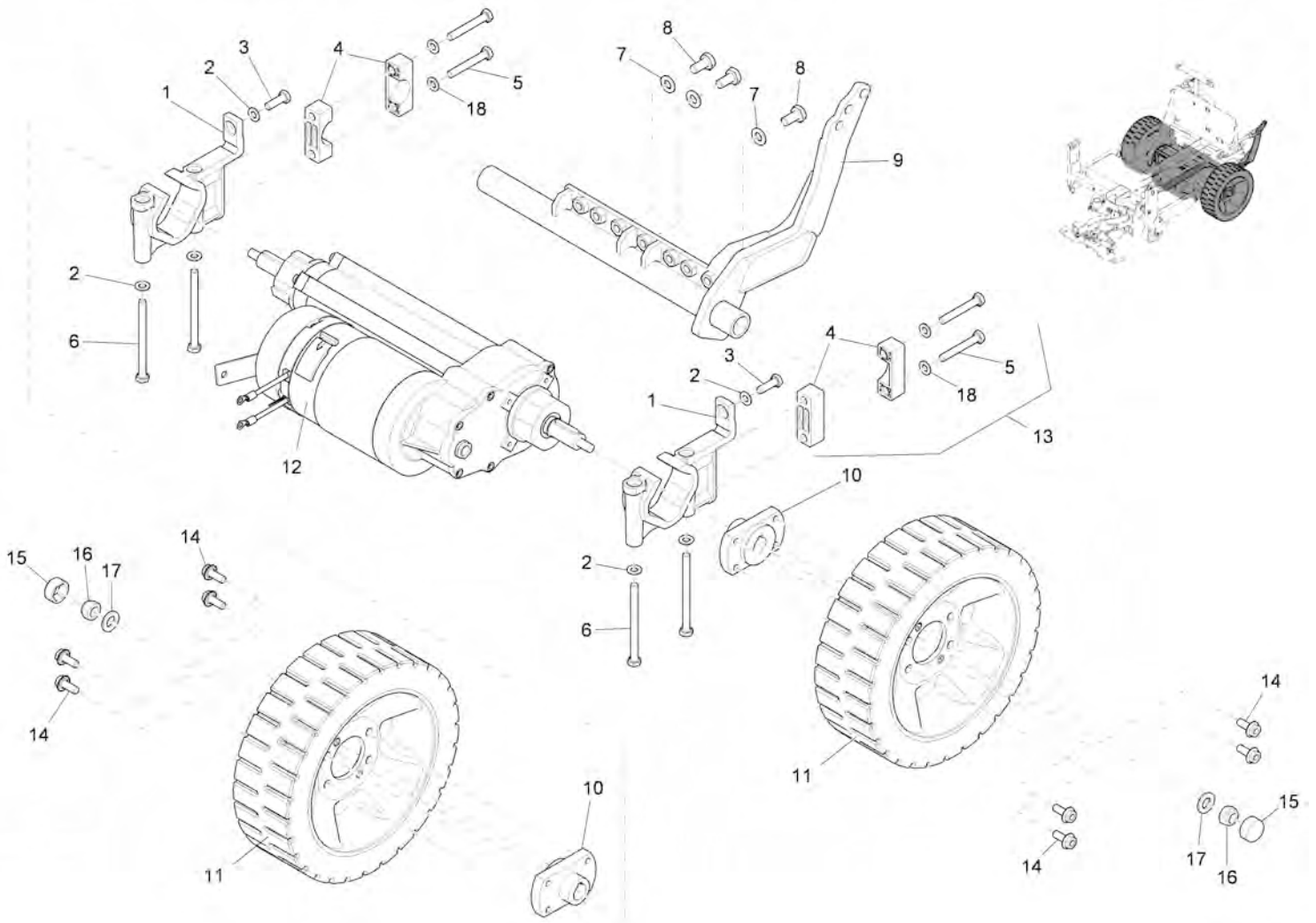
Item	Spare part number	Description	Qty.	Unit	Remarks
1	90512062	Bearing AMER	2		
2	12310041	Washer	10		
3	11038247	Hexagon screw	1		
4	90547811	Block	4		from appr. march 2008; if you want to exchange older blocks, please order Pos. 21!
5	11038296	Hex.bolt	4		
6	11032273	Hex.bolt	4		
7	12310058	Washer	3		
8	11038346	Hexagon screw	3		
9	96119003	Lever	1		
10	01078010	Hub	2		
11	96057013	Rim half	2		
12	90398165	Wheel - black pneumatic	2		
13	90251869	Rim	2		
14	11717022	Hex.bolt	8		
15	15592058	protection cap	2		
16	12040077	Hex. Nut	2		
17	12310066	Washer	2		
18	12040044	Hex. Nut	8		
19	12310033	Washer	8		
20	90531609	Traction drive	Page	34	
21	00008980	Block	1		incl. Pos.4,5,22: please order kit because it's necessary to exchange all 4 blocks
22	12332029	Washer	4		



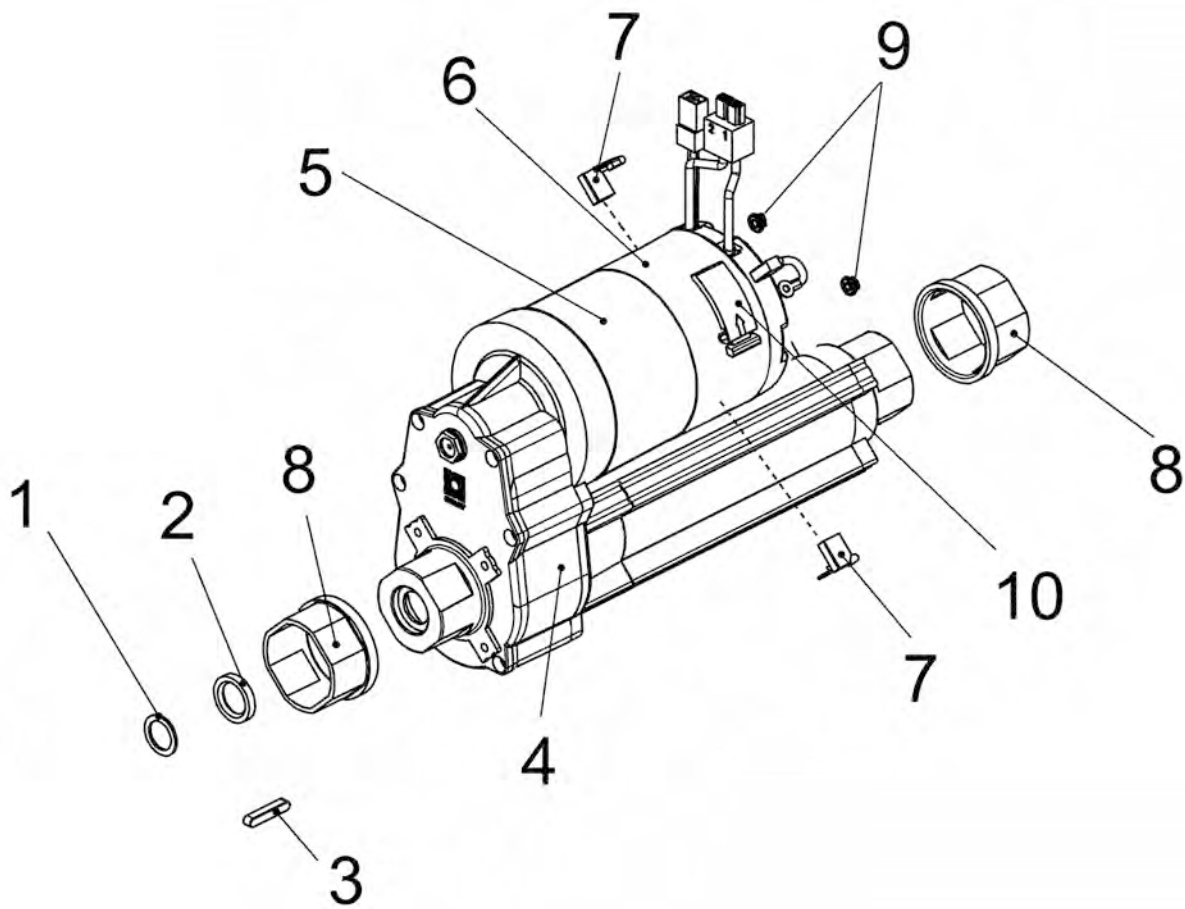
Traction drive (01079400)
Rev.D 09/12

Item	Spare part number	Description	Qty.	Unit	Remarks
1	01077430	Washer	2		
2	01077420	Gasket	3		
3	01077410	Fitting key	2		
4	01077390	Gear box with shaft (without oil)	1		
5	01170790	Motor	1		
6	01077360	Covering	1		
7	01077350	Carbon brush	4		
8	01077400	Bushing	2		
9	01077380	Nut	4		
10	01173630	Mounting clip	1		

Chassis, cpl. part 2
Rev.D 09/12



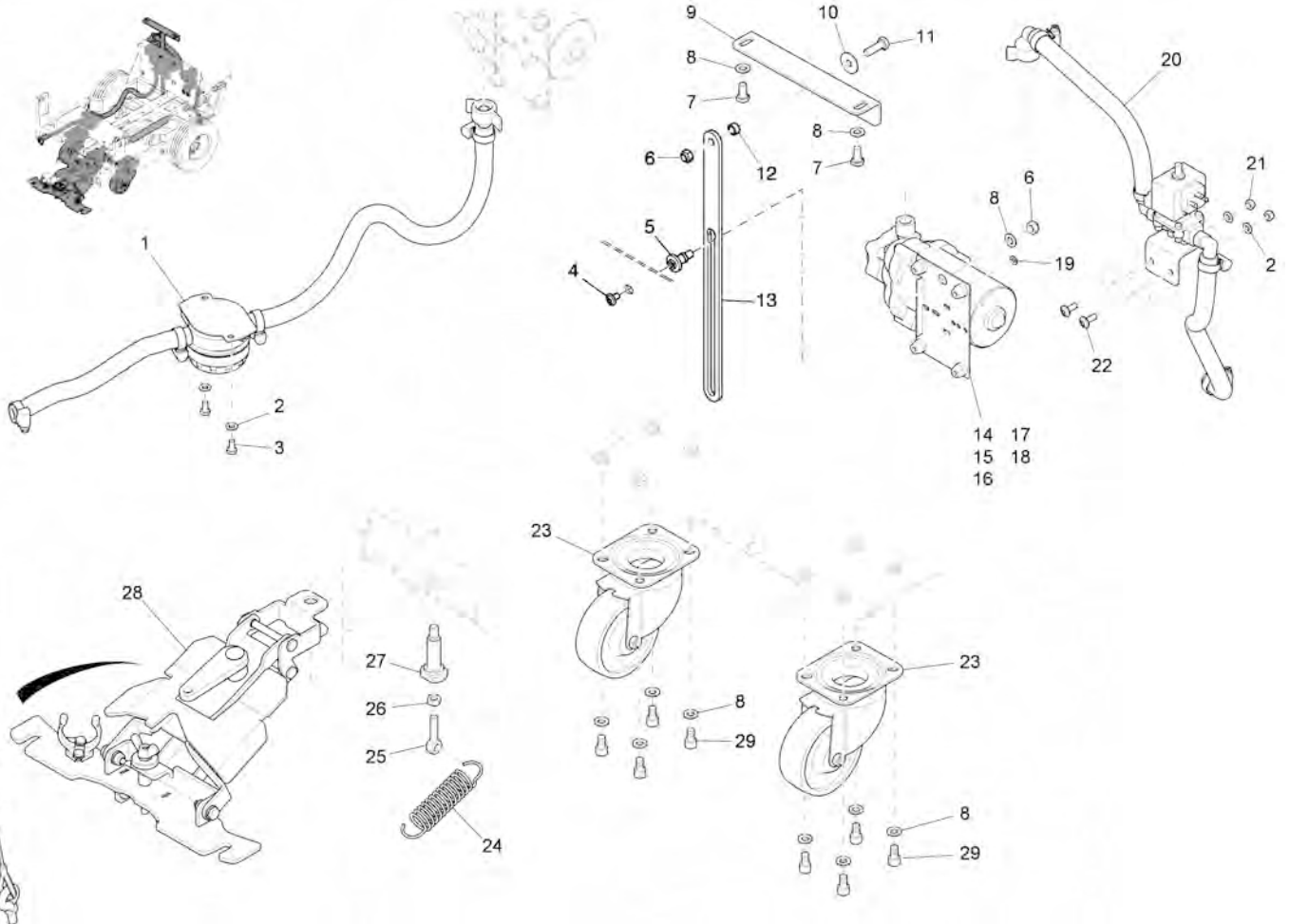
Item	Spare part number	Description	Qty.	Unit	Remarks
1	90512062	Bearing AMER	2		
2	12310041	Washer	10		
3	11038247	Hexagon screw	1		
4	90547811	Block	4		from appr. march 2008; if you want to exchange older blocks, please order Pos. 13!
5	11038296	Hex.bolt	4		
6	11032273	Hex.bolt	4		
7	12310058	Washer	3		
8	11038346	Hexagon screw	3		
9	96119003	Lever	1		
10	01078010	Hub	2		
11	96118849	Wheel	2		
12	90531609	Traction drive	Page	38	
13	00008980	Block	1		incl. Pos.4,5,18: please order kit because it's necessary to exchange all 4 blocks
14	11717203	Hexagon screw	8		Tightening torque: 38 Nm
15	15592058	protection cap	2		
16	12040077	Hex. Nut	2		
17	12310066	Washer	2		
18	12332029	Washer	4		



Traction drive (01079400)
Rev.D 09/12

Item	Spare part number	Description	Qty.	Unit	Remarks
1	01077430	Washer	2		
2	01077420	Gasket	3		
3	01077410	Fitting key	2		
4	01077390	Gear box with shaft	1		
5	01170790	Motor	1		
6	01077360	Covering	1		
7	01077350	Carbon brush	4		
8	01077400	Bushing	2		
9	01077380	Nut	4		
10	01173630	Mounting clip	1		

Chassis, cpl. part 3
Rev.D 09/12

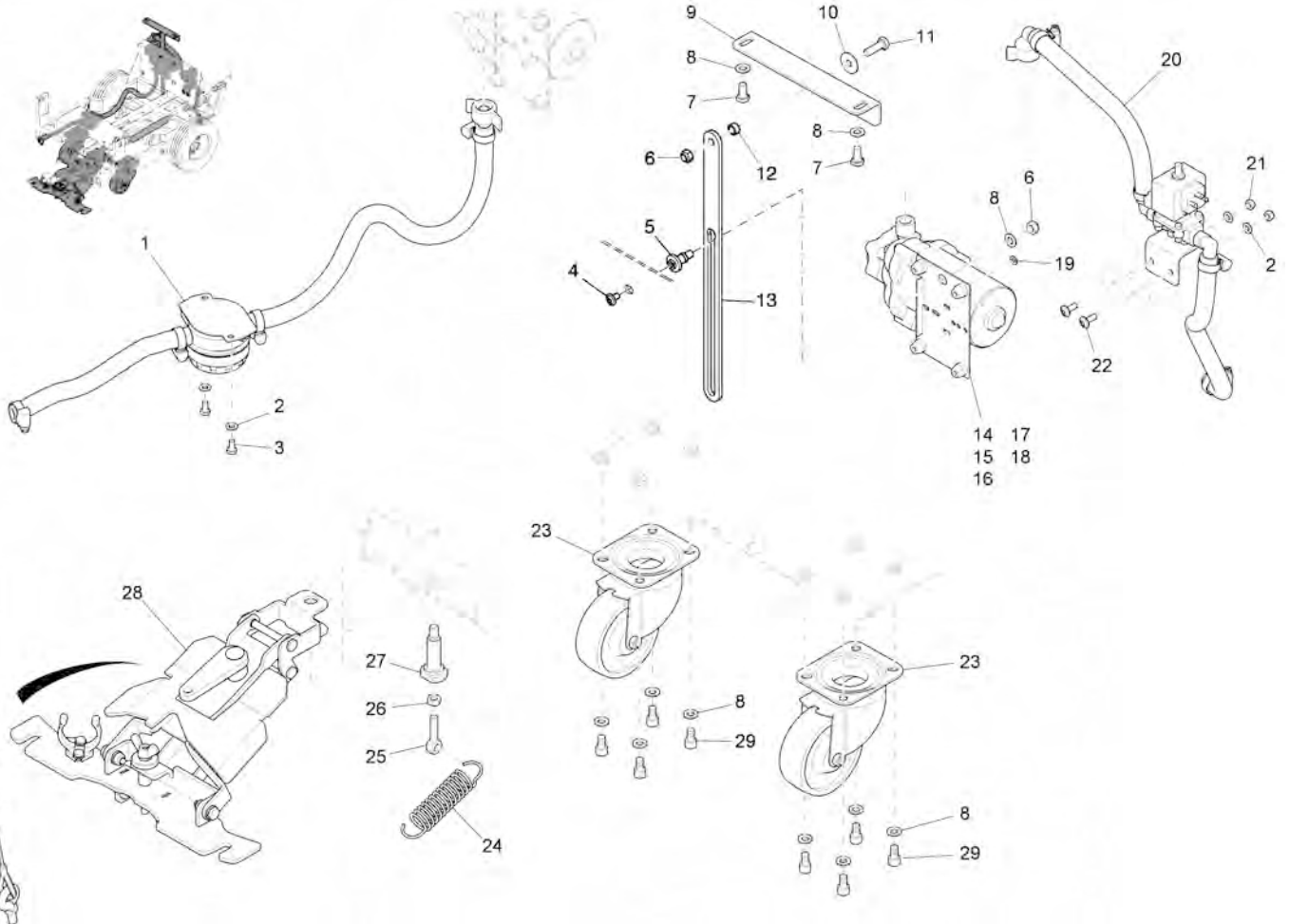


- 30: B70, B70 CL, B70 CLH,
B 650/07
- 31: B90, B120
- 32: B90CL, B90 CLH

Chassis, cpl. part 3 (97098867-3)
Rev.D 09/12

Item	Spare part number	Description	Qty.	Unit	Remarks
1	97094981	Water supply	See Page	44	Not sold as an assembly
2	12310033	Washer	4		
3	11038064	Hexagon screw	2		
4	11177179	Lens flange screw	1		
5	90513243	Bushing	1		
6	12040051	Hex. Nut	2		
7	11038197	Hexagon screw	10		
8	12310041	Washer	11		
9	90503160	Retainer	1		
10	12332029	Washer	1		
11	11038247	Hexagon screw	2		
12	90473158	Bushing	1		
13	90495268	Sheet metal	1		
14	90329095	Pump	1		
15	19725035	Socket-cont. Pos. Lock 6,3x0,8 (0,5-1,5)	1		
16	19791029	Female-housing 1-pole Positive Lock	1		
17	19791037	Male-housing 1-pole FASTIN-ON 6,3	1		
18	19724020	Tab	1		
19	00053720	Washer	1		
20	97094999-7061-40	Water supply	See Page	46	Not sold as an assembly
21	12040044	Hex. Nut	2		
22	11177060	Lens flange screw	2		
23	90515131	Steering roller	2		
24	90523333	Tension spring	1		
25	11518180	Eye bolt	1		
26	12022059	Hex. Nut	1		
27	90513573	Pivot	1		
28	03008100	Squeegee connection (Available! No.: 03008100)	Page	48	
29	00103300	Socket head screw	8		
30	96112370	Linkage	1		

Chassis, cpl. part 3
Rev.D 09/12



- 30: B70, B70 CL, B70 CLH,
B 650/07
- 31: B90, B120
- 32: B90CL, B90 CLH

Chassis, cpl. part 3 (97098867-3)
Rev.D 09/12

Item	Spare part number	Description	Qty.	Unit	Remarks

Water supply
Rev.D 09/12

Parts for water filter
as until
appr. febr. 2010

No longer
available!
Please order
new filter (pos. 1)!

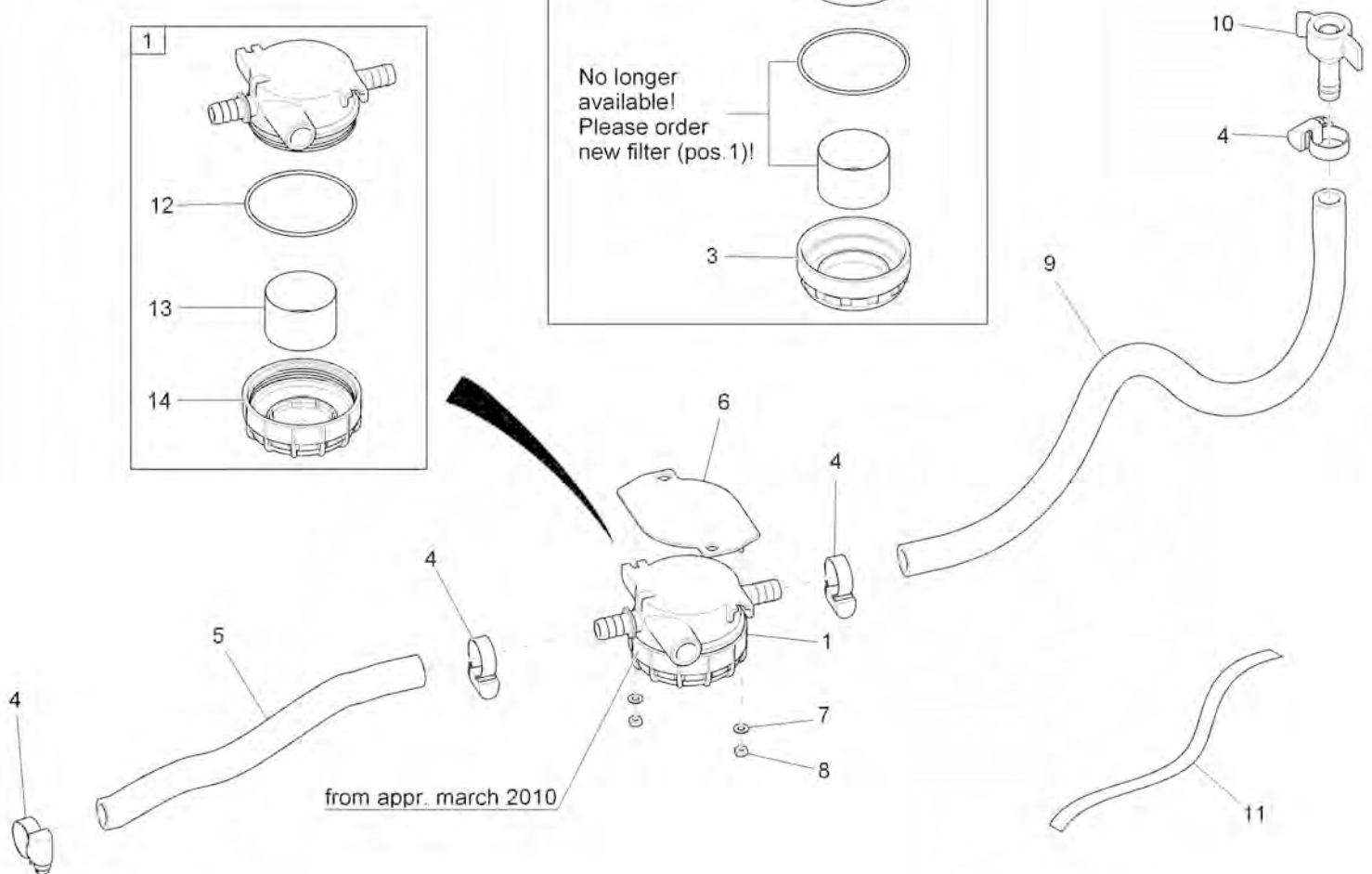
3

1

12

13

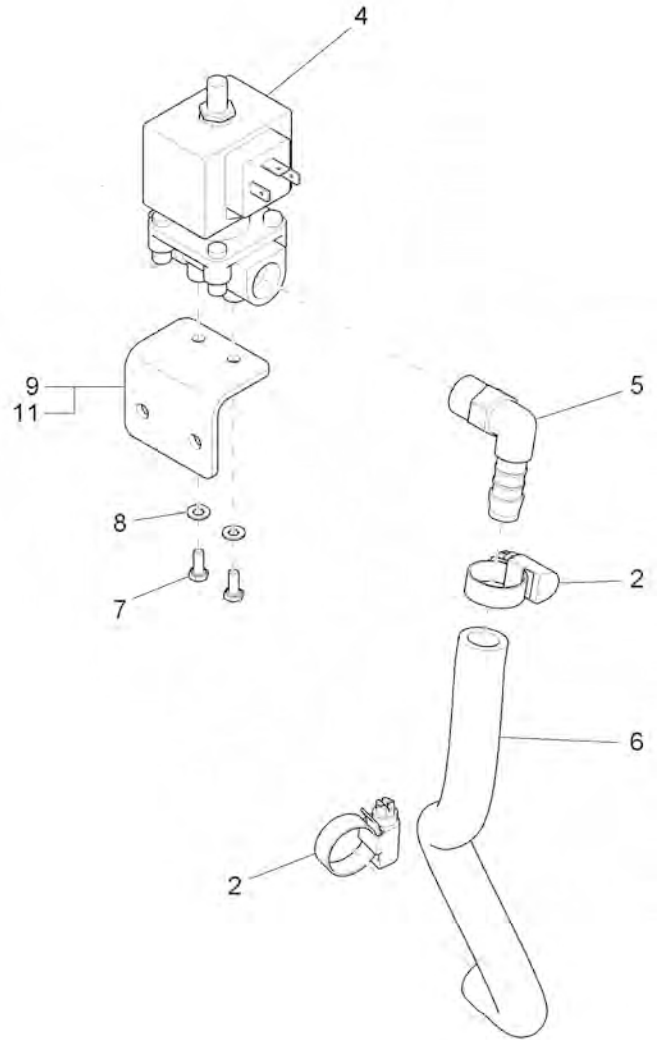
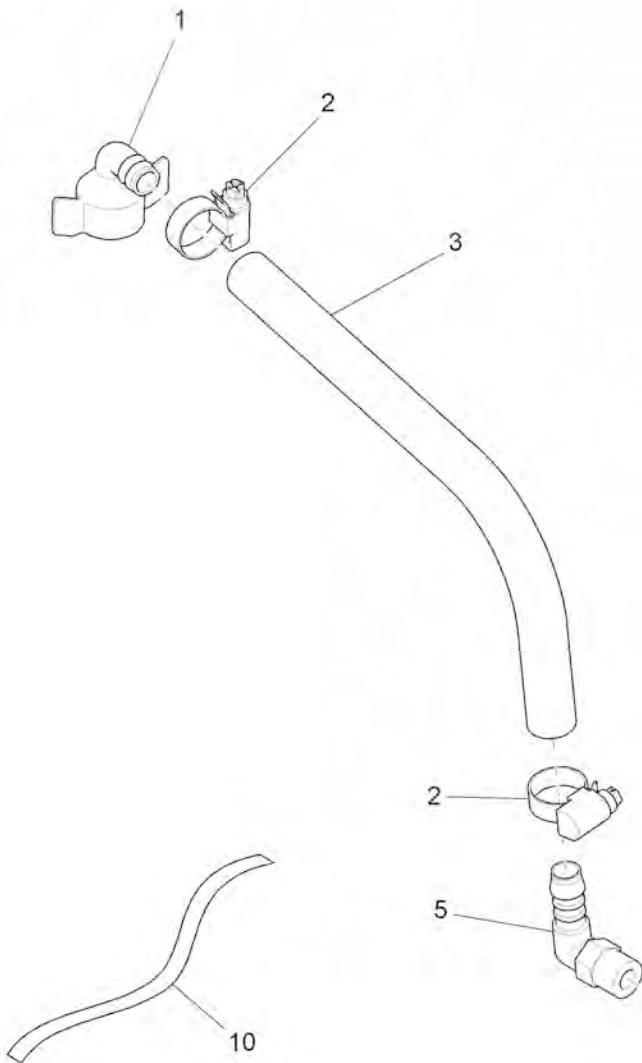
14



Water supply (97094981)
 Rev.D 09/12

Item	Spare part number	Description	Qty.	Unit	Remarks
1	97113377	Water filter	1		
3	01076500	Screw cap	1		
4	3302144	Hose clamp	4		
5	25842055	PVC hose - Sold by the meter	300mm		
6	96115035	Sheet metal	1		
7	12310017	Washer	2		
8	12040028	Hex. Nut	2		
9	25842055	PVC hose - Sold by the meter	480mm		
10	90432071	Straight screw connection	1		
11	03007630	Sealing band	1		
12	15282155	O-ring	1		
13	90542549	Strainer	1		
14	90576778	Filter cover	1		

Water supply
Rev.D 09/12



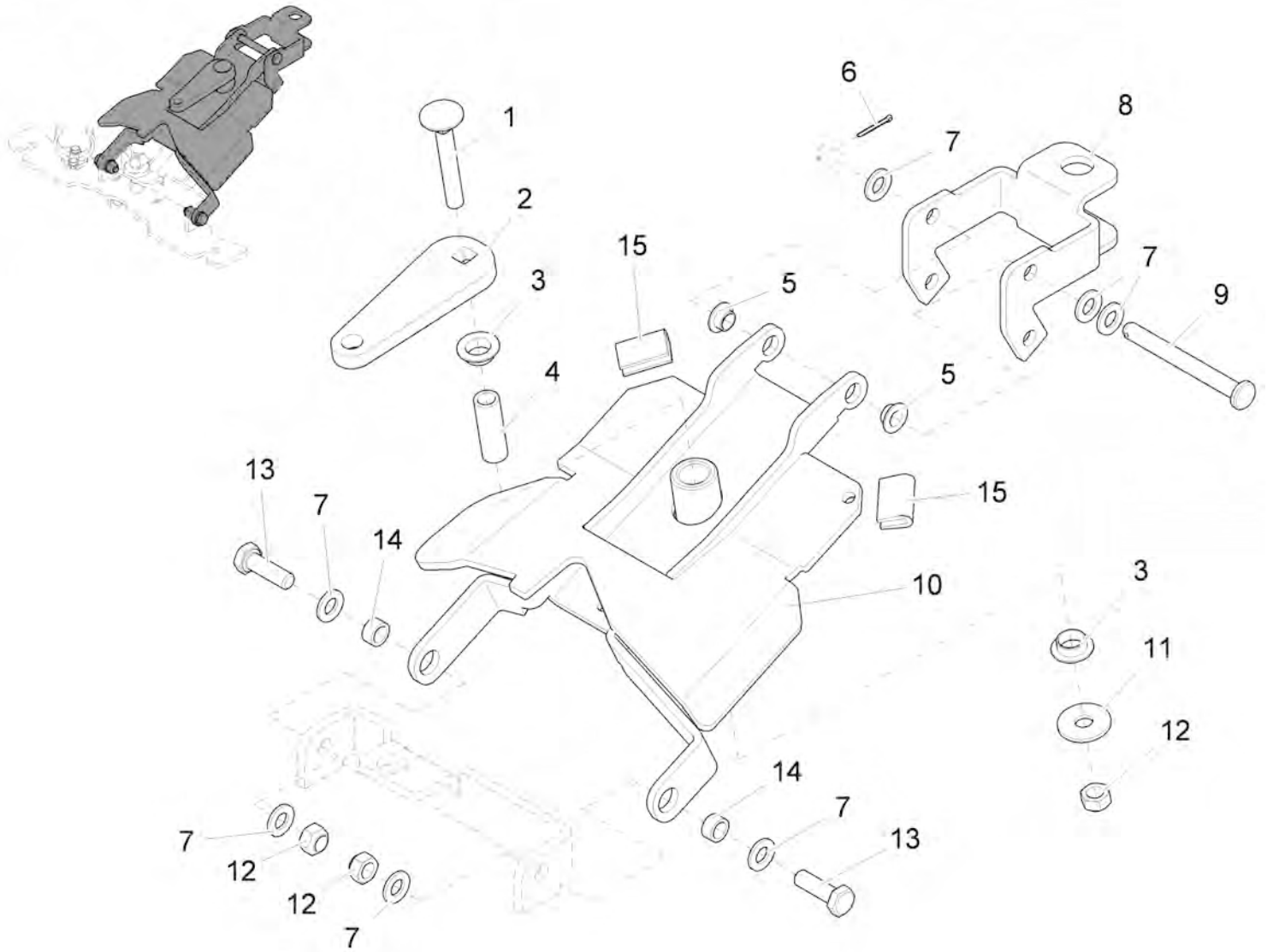
Water supply (97094999-7061-40)
 Rev.D 09/12

Item	Spare part number	Description	Qty.	Unit	Remarks
1	90330168	Screwed angle fitting	1		
2	3302144	Hose clamp	4		
3	25842055	PVC hose - Sold by the meter	1		
4	90435595	Electrovalve	1		
5	90174970	Angle socket	2		
6	25842055	PVC hose - Sold by the meter	1		
7	11038965	Hex.bolt	2		
8	12310017	Washer	2		
9	90513904	Retainer	1		until ca. march 2007
10	03007630	Sealing band	1		
11	01170030	Retainer	1		from ca. march 2007

Squeegee connection (Available! No.: 03008100) (03008100)
Rev.D 09/12

Assembly	Description	Page
97099915-1	Squeegee connection (until appr. 15. Apr. 2008) part 1	52
97099915-2	Squeegee connection (until appr. 15. Apr. 2008) part 2	54
03008100BT10	Squeegee connection (from appr. 15. Apr. 2008) part 1	56
03008100BT20	Squeegee connection (from appr. 15. Apr. 2008) part 2	58

Squeegee connection (until appr. 15. Apr. 2008) part 1
Rev.D 09/12

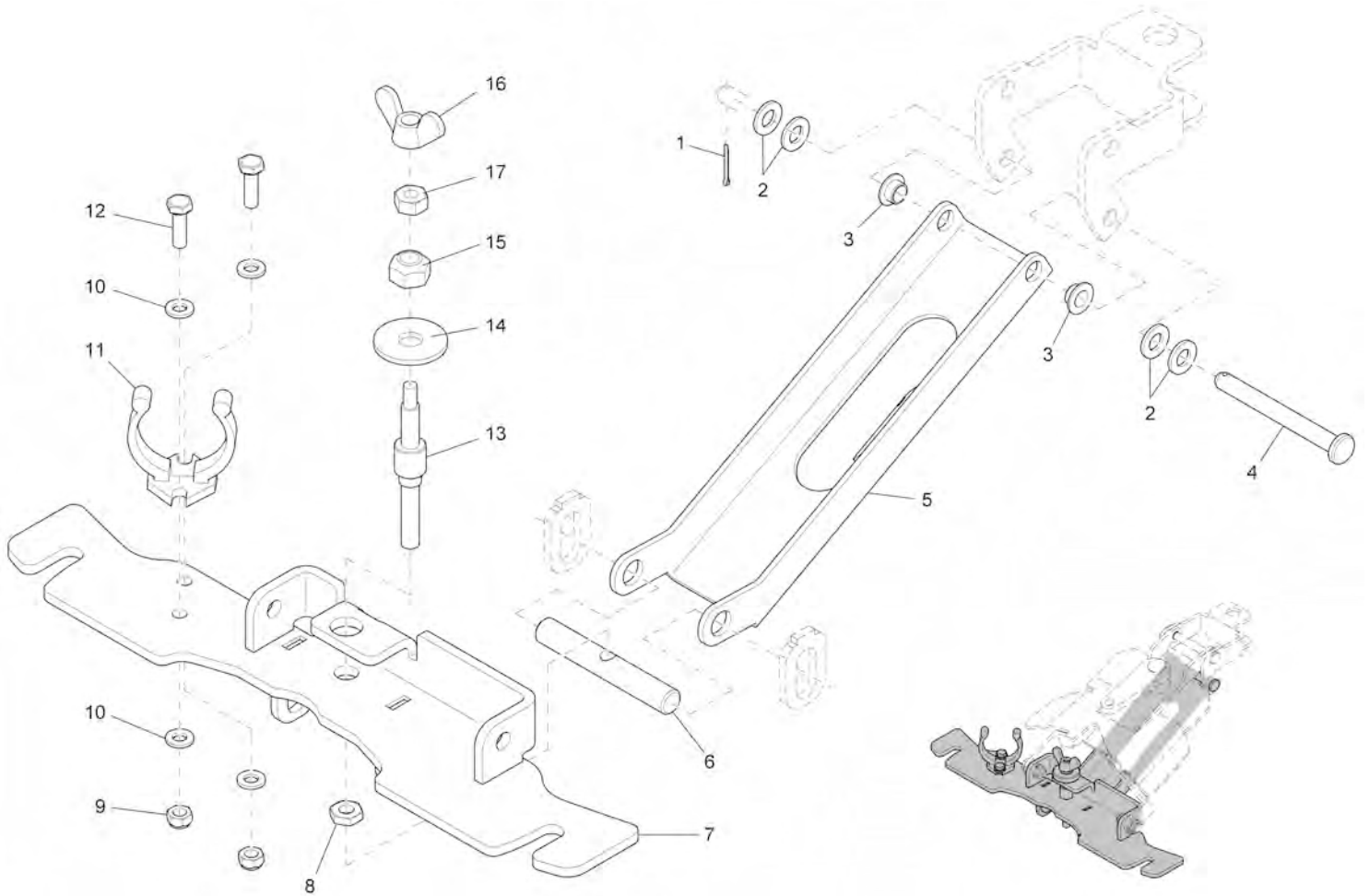


Squeegee connection (until appr. 15. Apr. 2008) part 1
 (97099915-1)
 Rev.D 09/12



Item	Spare part number	Description	Qty.	Unit	Remarks
1	11620564	Cup head square neck bolt	1		
2	90521790	Sheet metal	1		
3	14895478	Slide bearing bush	2		
4	90204702	Pipe	1		
5	14895460	Slide bearing bush	2		
6	13280078	Cotter pin	1		
7	12310041	Washer	5		
8	90534710	Round part	1		
9	01078220	Bolt	1		
10	01079290	Sheet metal	1		
11	12332029	Washer	1		
12	12040051	Hex. Nut	3		
13	11038247	Hexagon screw	2		
14	90473158	Bushing	2		
15	25582024	Edge protection - Sold by the meter	1		60MM

Squeegee connection (until appr. 15. Apr. 2008) part 2
Rev.D 09/12

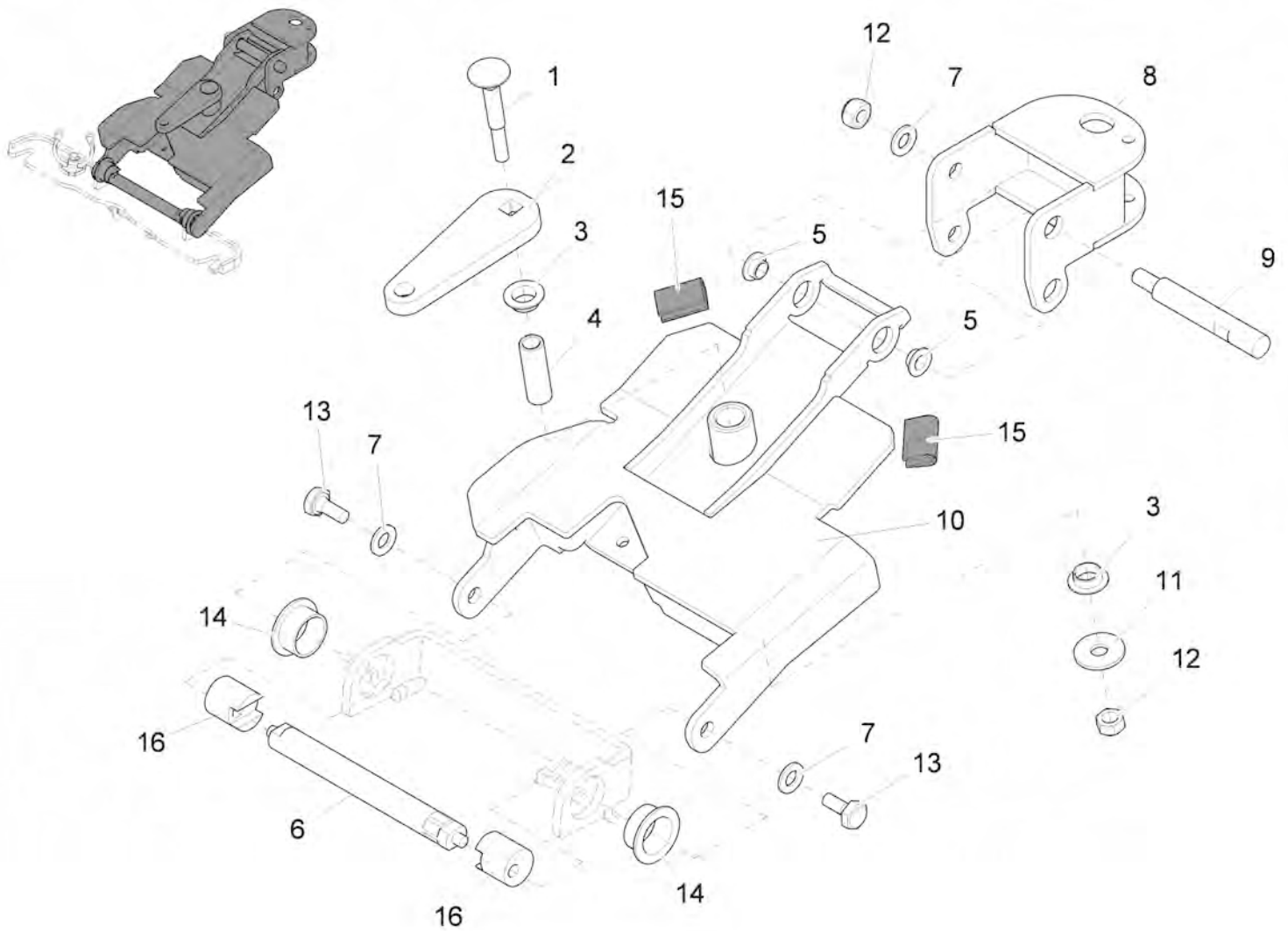


Squeegee connection (until appr. 15. Apr. 2008) part 2
 (97099915-2)
 Rev.D 09/12



Item	Spare part number	Description	Qty.	Unit	Remarks
1	13280078	Cotter pin	1		
2	12310041	Washer	1		
3	14895460	Slide bearing bush	2		
4	13328935	Bolt	1		
5	90495805	Draft link	1		
6	90467686	Bolt	1		
7	96110242	Sheet metal	1		
8	12012019	Hex. Nut	2		
9	12040044	Hex. Nut	2		
10	12310033	Washer	4		
11	90503251	Hose support	1		
12	11038098	Hexagon screw	2		
13	90515149	Threaded pin	1		
14	12332029	Washer	1		
15	12040051	Hex. Nut	1		
16	12158028	Wing nut	1		
17	12022042	Hex. Nut	1		

Squeegee connection (from appr. 15. Apr. 2008) part 1
 Rev.D 09/12

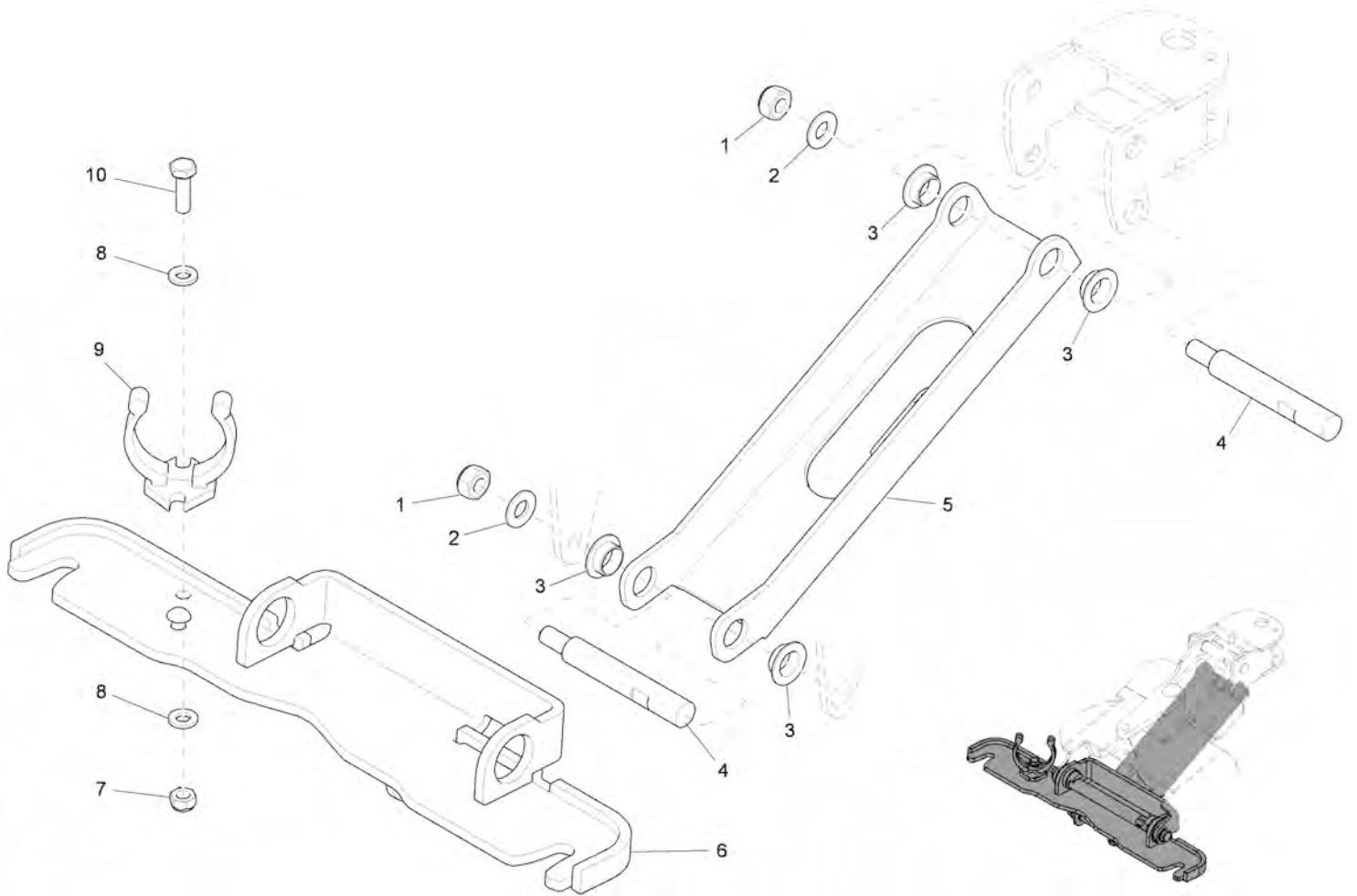


Squeegee connection (from appr. 15. Apr. 2008) part 1
 (03008100BT10)
 Rev.D 09/12



Item	Spare part number	Description	Qty.	Unit	Remarks
1	11620564	Cup head square neck bolt	1		
2	90521790	Sheet metal	1		
3	14895478	Slide bearing bush	2		
4	90547886	Bushing	1		
5	14895197	Slide bearing bush	2		
6	90546847	Shaft	1		
7	730609	Washer	3		
8	96119938	Round part	1		
9	90547381	Threaded bolt	1		
10	01171300	Sheet metal	1		
11	12332029	Washer	1		
12	12040259	Hex. Nut	2		
13	11039609	Hex.bolt	2		
14	14895361	Slide bearing bush	2		
15	25582024	Edge protection - Sold by the meter	60mm		
16	90547399	Eccentric cam	2		

Squeegee connection (from appr. 15. Apr. 2008) part 2
Rev.D 09/12

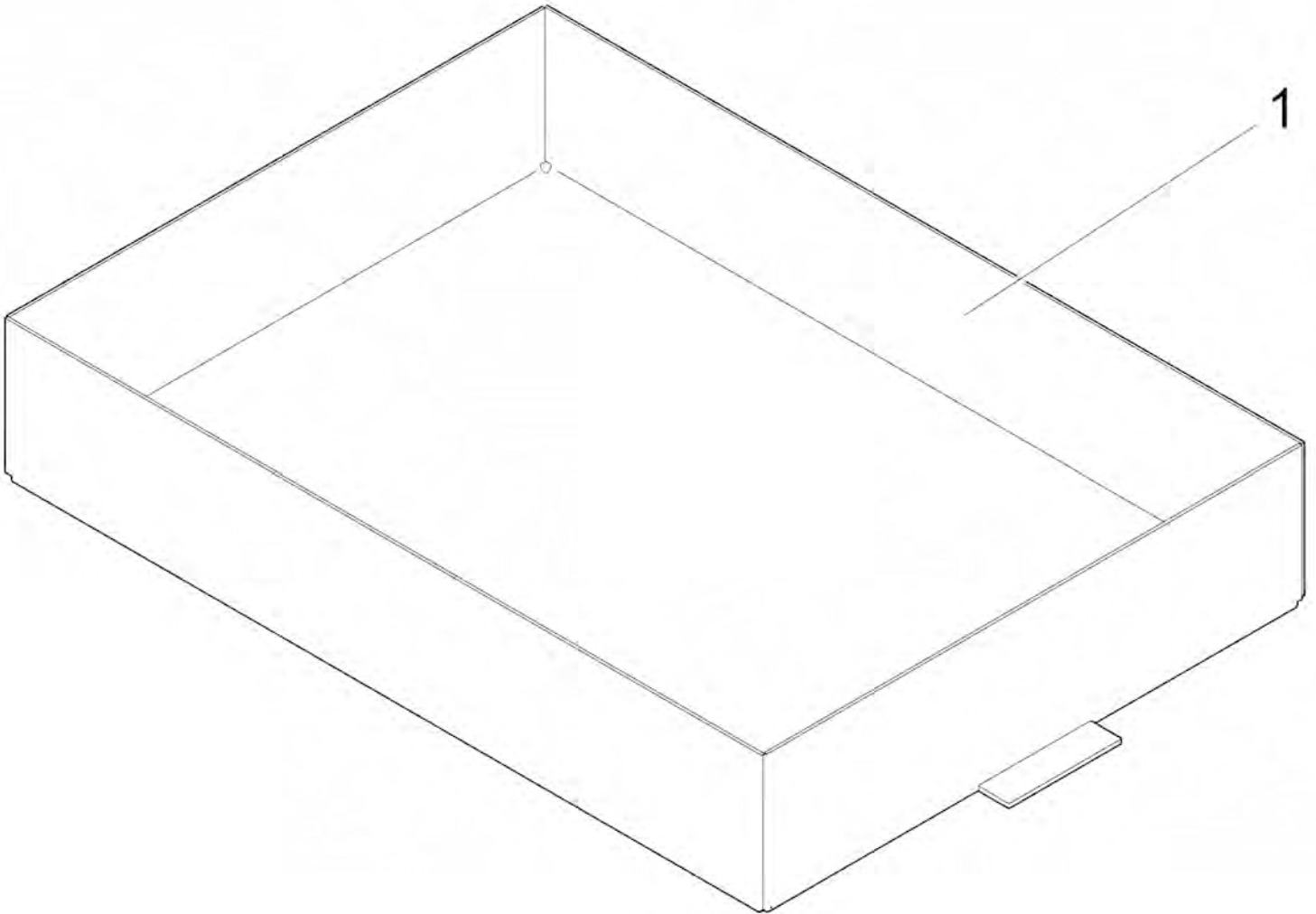


Squeegee connection (from appr. 15. Apr. 2008) part 2
(03008100BT20)
Rev.D 09/12



Item	Spare part number	Description	Qty.	Unit	Remarks
1	12040259	Hex. Nut	2		
2	730609	Washer	2		
3	14895197	Slide bearing bush	2		
4	90547381	Threaded bolt	3		
5	90543521	Draft link	1		
6	96120993	Sheet metal	1		
7	12310033	Hex. Nut	1		
8	12310033	Washer	2		
9	90503251	Hose support	1		
10	11038098	Hexagon screw	1		

Battery tray
Rev.D 09/12



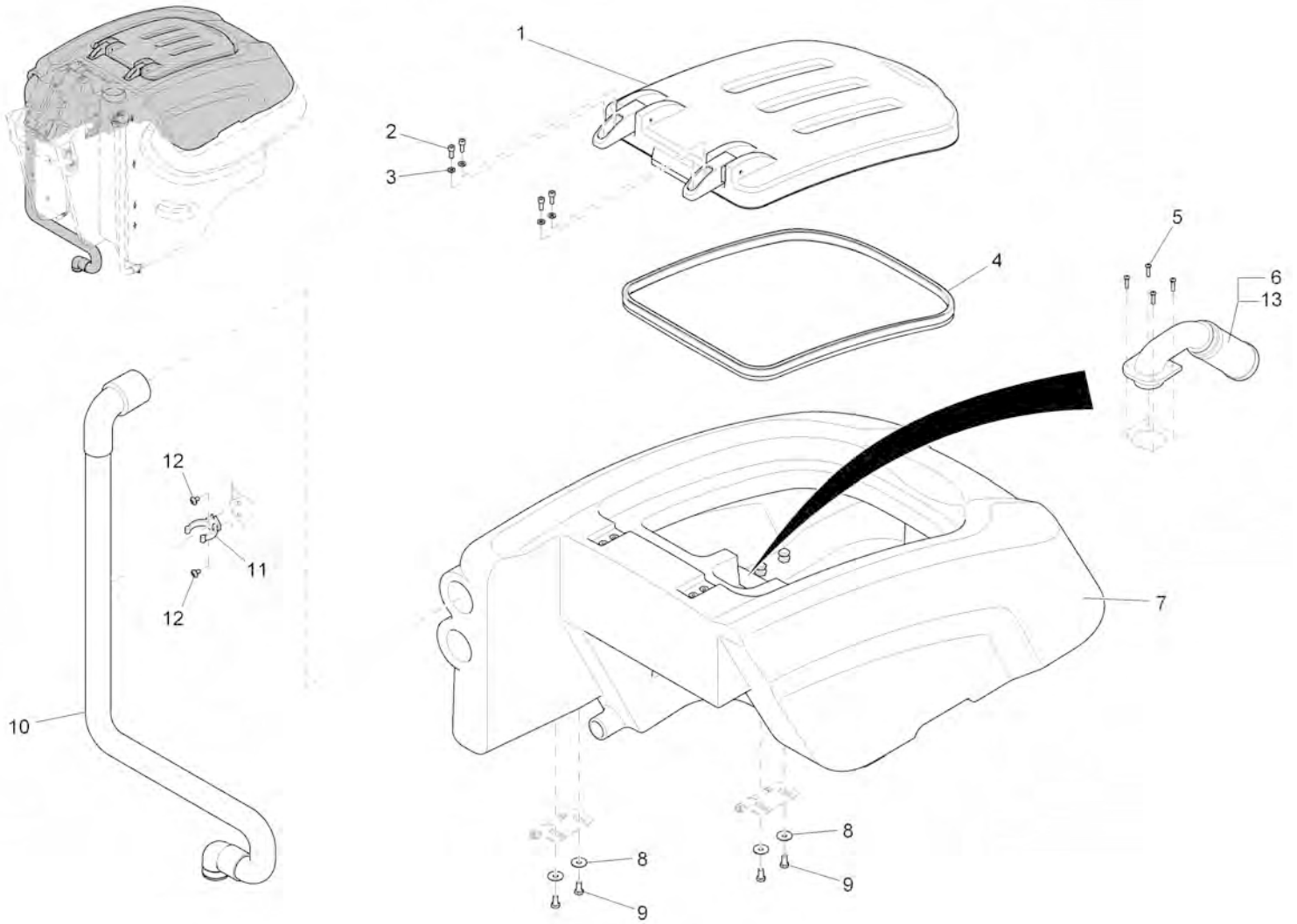
Battery tray (99706131BT40)
Rev.D 09/12

Item	Spare part number	Description	Qty.	Unit	Remarks
1	03007960	Battery tray	1		

Hopper cpl. part1 (97100143-1)
Rev.D 09/12

Item	Spare part number	Description	Qty.	Unit	Remarks
1	96114061	Fresh water cap	1		
2	90496910	Hinge	2		
3	12332029	Washer	4		
4	11038197	Hexagon screw	4		
5	11177179	Lens flange screw	4		
6	90503251	Hose support	1		
7	96109541	Hose	1		
8	3300535	Clamp	1		
9	90174970	Angle socket	1		
10	15286149	O-ring oil resistant	1		
11	96117734	Fresh water tank	1		
12	97090096	Foul water hose	1		
13	90517574	Hook	1		
14	760245	Hose clamp	1		
15	25583022	Edge protection - Sold by the meter	710mm		
16	15282072	O-Ring	1		
17	11175395	Fillister-head screw	2		
18	90304528	Cover	1		
19	17264888	Decal FOUL WATER	1		
20	01177520	Strainer	1		

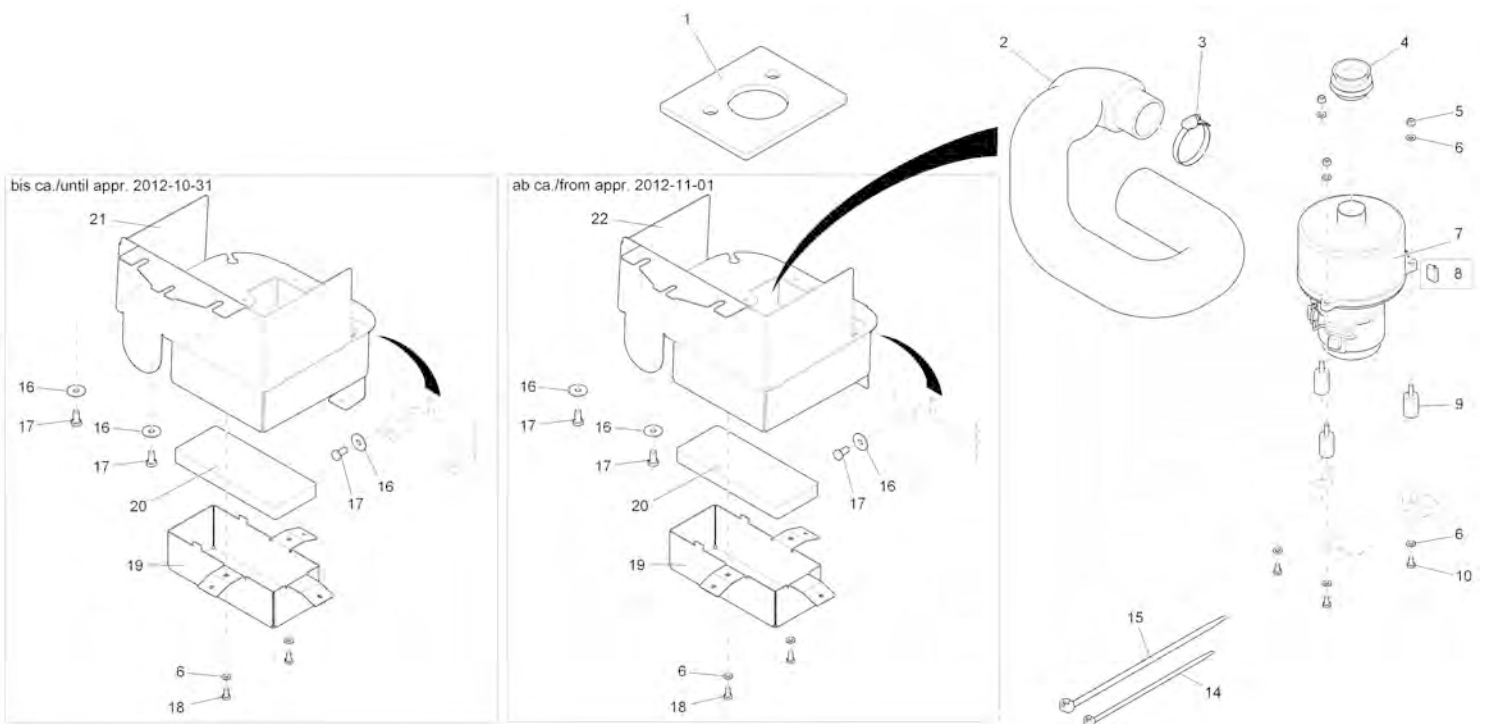
Hopper cpl. part2
Rev.D 09/12



Hopper cpl. part2 (97100143-2)
Rev.D 09/12

Item	Spare part number	Description	Qty.	Unit	Remarks
1	97106645	Cover	1		
2	11126166	Cylinder head screw	4		
3	12310033	Washer	4		
4	25510512	Sealing profile - Sold by the foot	1580 mm		
5	01078160	Screw	4		
6	97118731	Filter unit	1		
7	96117726	Dirt container	1		
8	12332029	Washer	4		
9	11038197	Hexagon screw	4		
10	96130901	Suction hose	1		
11	90503251	Hose support	1		
12	11177179	Lens flange screw	2		
13	01274860	O-ring	1		

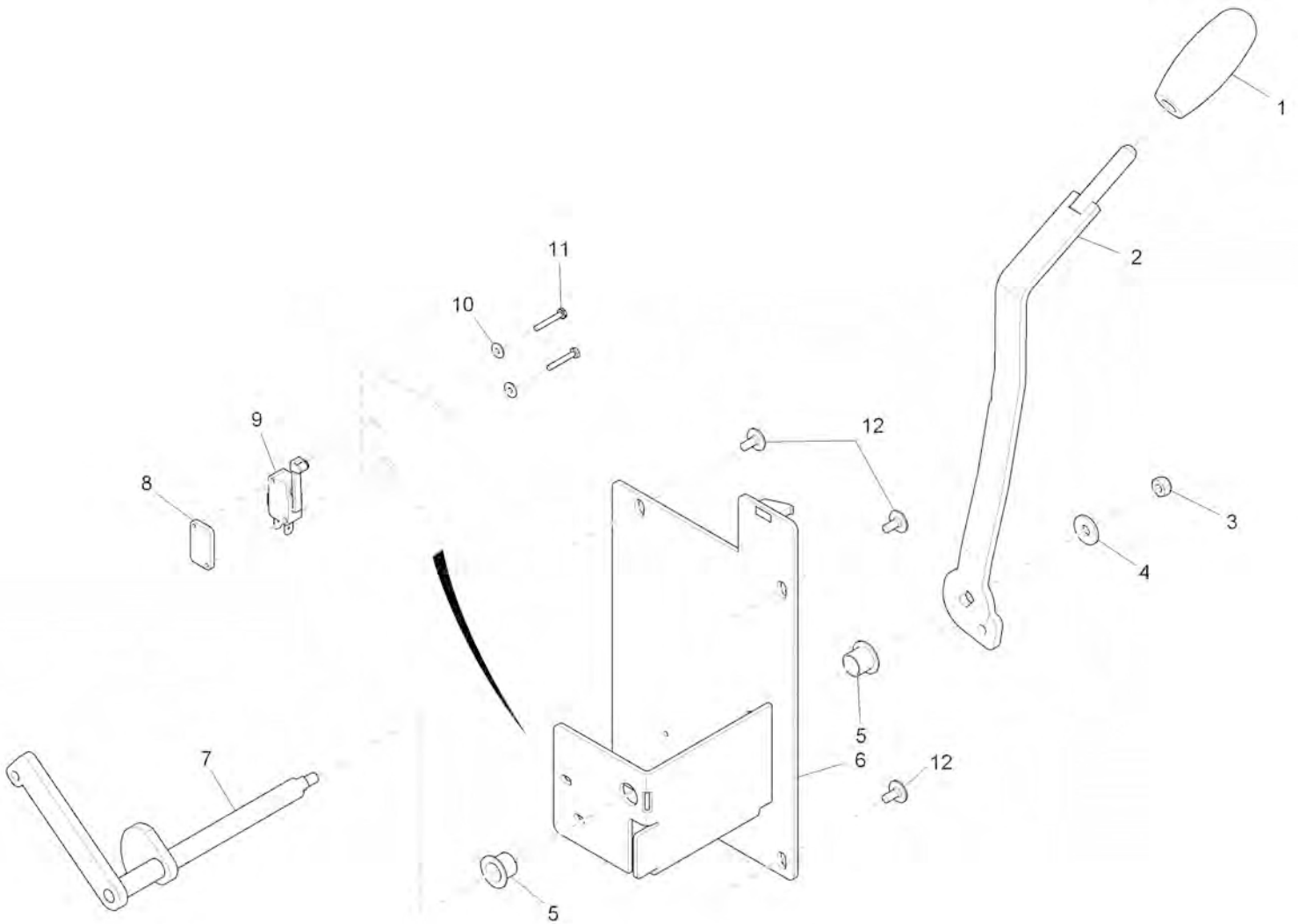
Suction
Rev.D 09/12



Suction (97092811)
Rev.D 09/12

Item	Spare part number	Description	Qty.	Unit	Remarks
1	90523945	Insulation mat	1		
2	90519737	Hose	1		
3	00732130	Hose clamp	1		
4	90503657	Connection	1		
5	12040044	Hex. Nut	3		
6	12310033	Washer	8		
7	97096200	Suction motor	1		
8	00048840	Carbon brush	4		
9	90518457	Buffer	3		
10	11038833	Hex.bolt	3		
14	828062	Cable tie	1		
15	361218	Cable tie	4		
16	12332029	Washer	3		
17	11038197	Hexagon screw	3		
18	11038064	Hexagon screw	2		
19	90519653	Cover	1		
20	90519745	Insulation mat	1		
21	96114301	Sheet metal	1		
22	96137567	Sheet metal	1		

Squeegee operation (Available! No.: 00009000)
Rev.D 09/12



Squeegee operation (Available! No.: 00009000) (00009000)
 Rev.D 09/12

Item	Spare part number	Description	Qty.	Unit	Remarks
1	17143025	Handle	1		
2	96119581	Lever	1		
3	12040044	Hex. Nut	1		
4	12332011	Washer	1		
5	14895288	Plain bearing bush	2		
6	96118971	Support plate	1		
7	96110705	Shaft with cam	1		
8	90471483	Thread base plate	1		
9	90636234	Micro switch	1		
10	12332110	Washer	2		
11	11039088	Hex.bolt	2		
12	11177179	Lens flange screw	4		

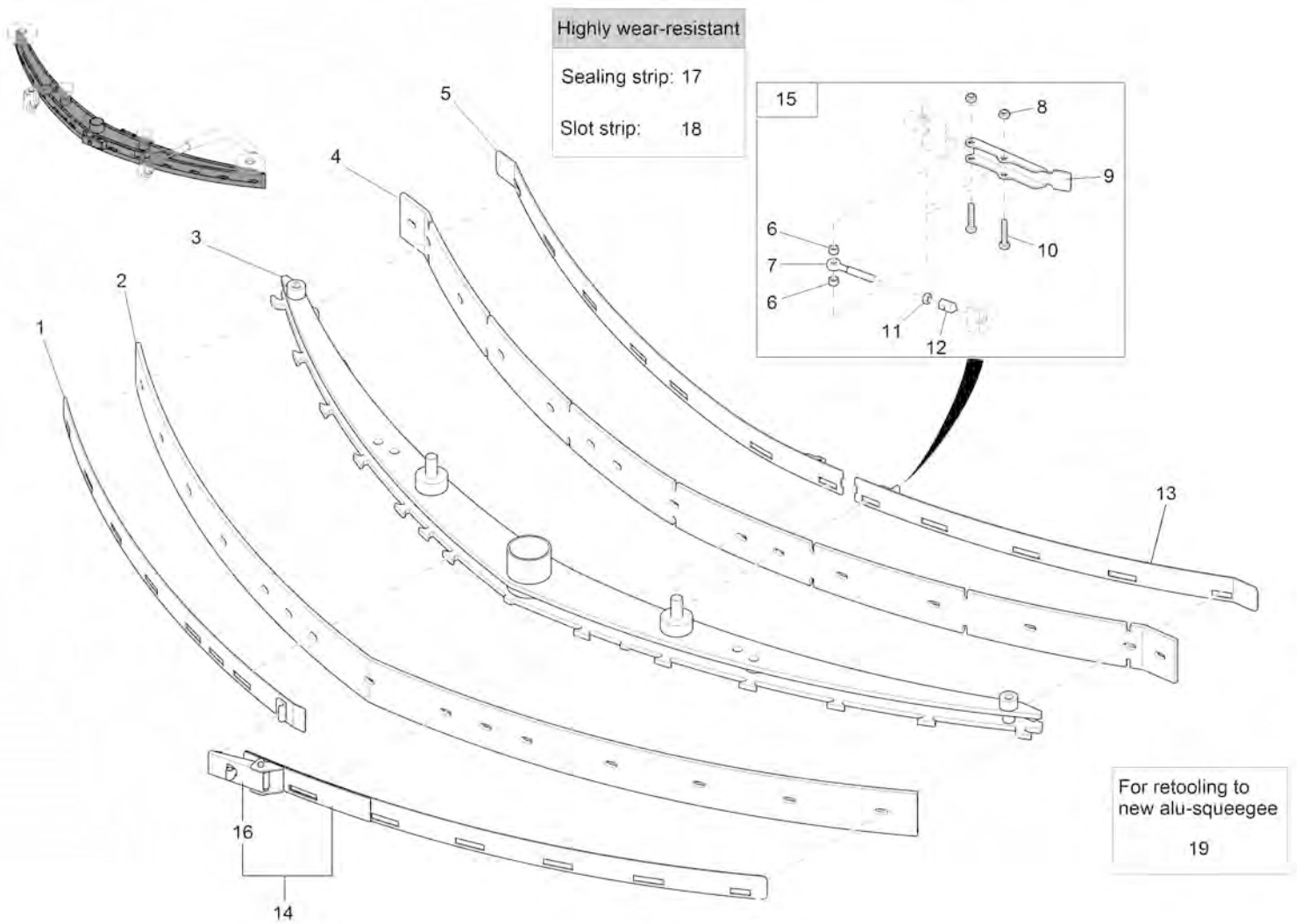
Old Style Squeegee Assembly

Squeegee 950mm (97094502)
(1900-01-01 -> 2009-09-30)
Rev.D 09/12



Assembly	Description	Page
97094502-1	Squeegee 95cm part 1	72
97094502-2	Squeegee 95cm part 2	74

Old Style Squeegee Assembly



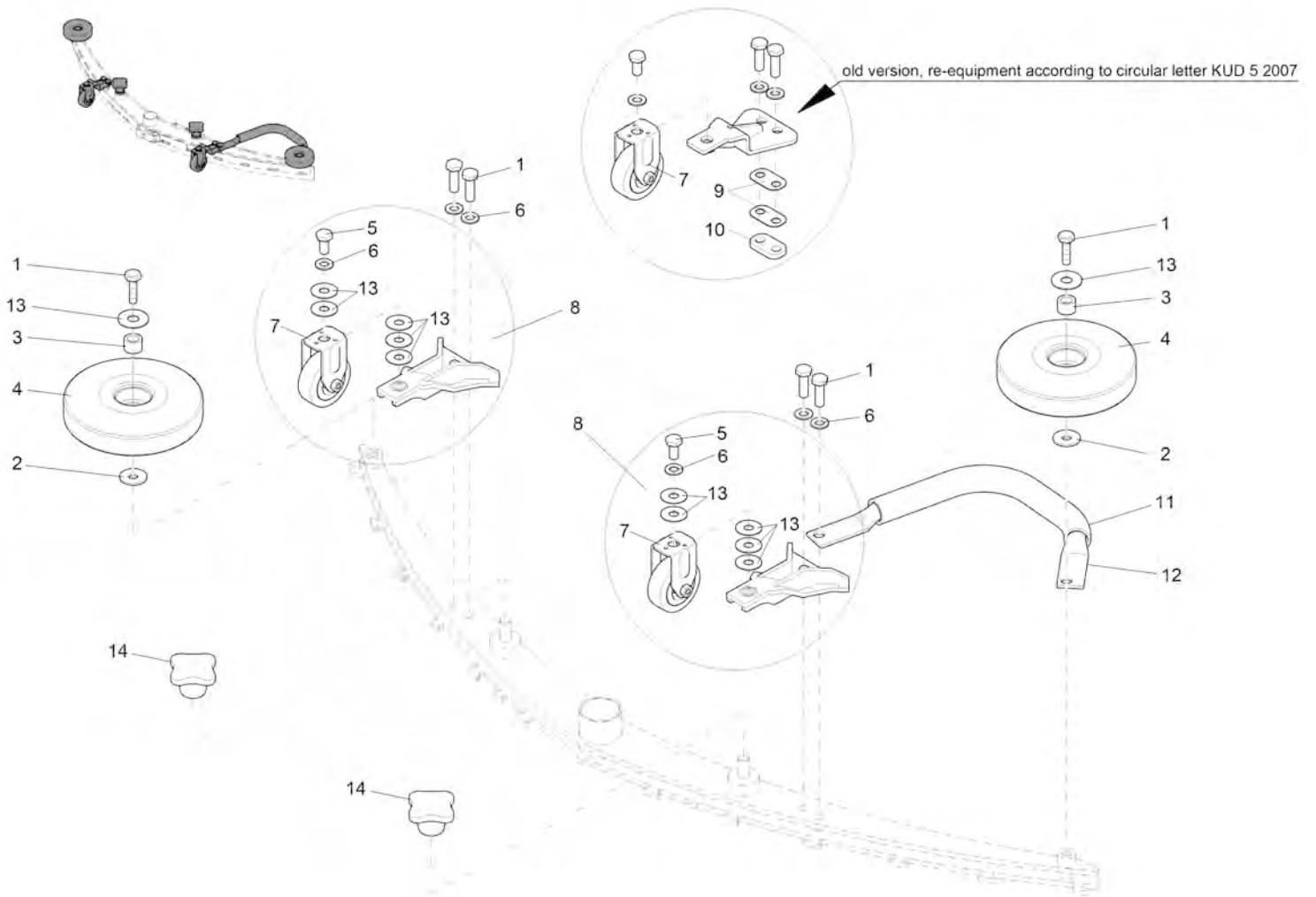
Squeegee 95cm part 1 (97094502-1)
 (2008-03-01 -> 2009-09-30)
 Rev.D 09/12



Old Style Squeegee Assembly

Item	Spare part number	Description	Qty.	Unit	Remarks
1	96125844	Rear tension band	1		
2	90494139	Squeegee Blade, Rear	1		
3	01077940	Suction unit Replaced by 172539-E26	1		
3	--	No longer available! - Use 172539-E26	1		Squeegee (01077940) is no longer available! Please order pos. 19 uniquely and retool it! Afterwards order from BOM 01178270, please!
4	90493560	Squeegee Blade, Front	1		
5	96125836	Front tension band	1		
6	90514506	Bushing	2		
7	11518313	Eye bolt	1		
8	12040283	Hex. Nut	2		
9	172234	Lever	1		
10	11039765	Hexagon screw	2		
11	12022430	Hex. Nut	1		
12	90513631	Pressure piece	1		
13	96125828	Front tension band	1		
14	96125851	Rear tension band	1		
15	00009010	Lock suction unit	1		
16	17383209	Lock	1		
17	01179180	Squeegee Blade,Rear Linatex	1		for 95cm squeegee
18	01179170	Squeegee Blade, Front Linatex	1		for 95cm squeegee
19	172539-E26	Suction unit kit 95cm	1		

Old Style Squeegee Assembly



Squeegee 95cm part 2 (97094502-2)
(2008-03-01 -> 2009-09-30)
Rev.D 09/12

Item	Spare part number	Description	Qty.	Unit	Remarks
1	11039567	Hexagon screw	6		
2	12332136	Washer	2		
3	90199019	Pipe	2		
4	90548397	Deflector roller	2		
5	11039609	Hex.bolt	2		
6	730609	Washer	4		
7	90513094	Fixed castor	2		
8	01079070	Fixed castor - No longer available	2		
9	01077610	Distance piece	2		
10	90514936	Distance piece	1		
11	25842105	Hose - Sold by the meter	0,250	MM	
12	90515461	Bracket	1		
13	90531112	Spacer	10		
14	01274760	Star handle yellow	2		



Squeegee 950mm, cpl. (Available! No.: 01178270) (01178270)
(2009-10-01 ->)
Rev.D 09/12

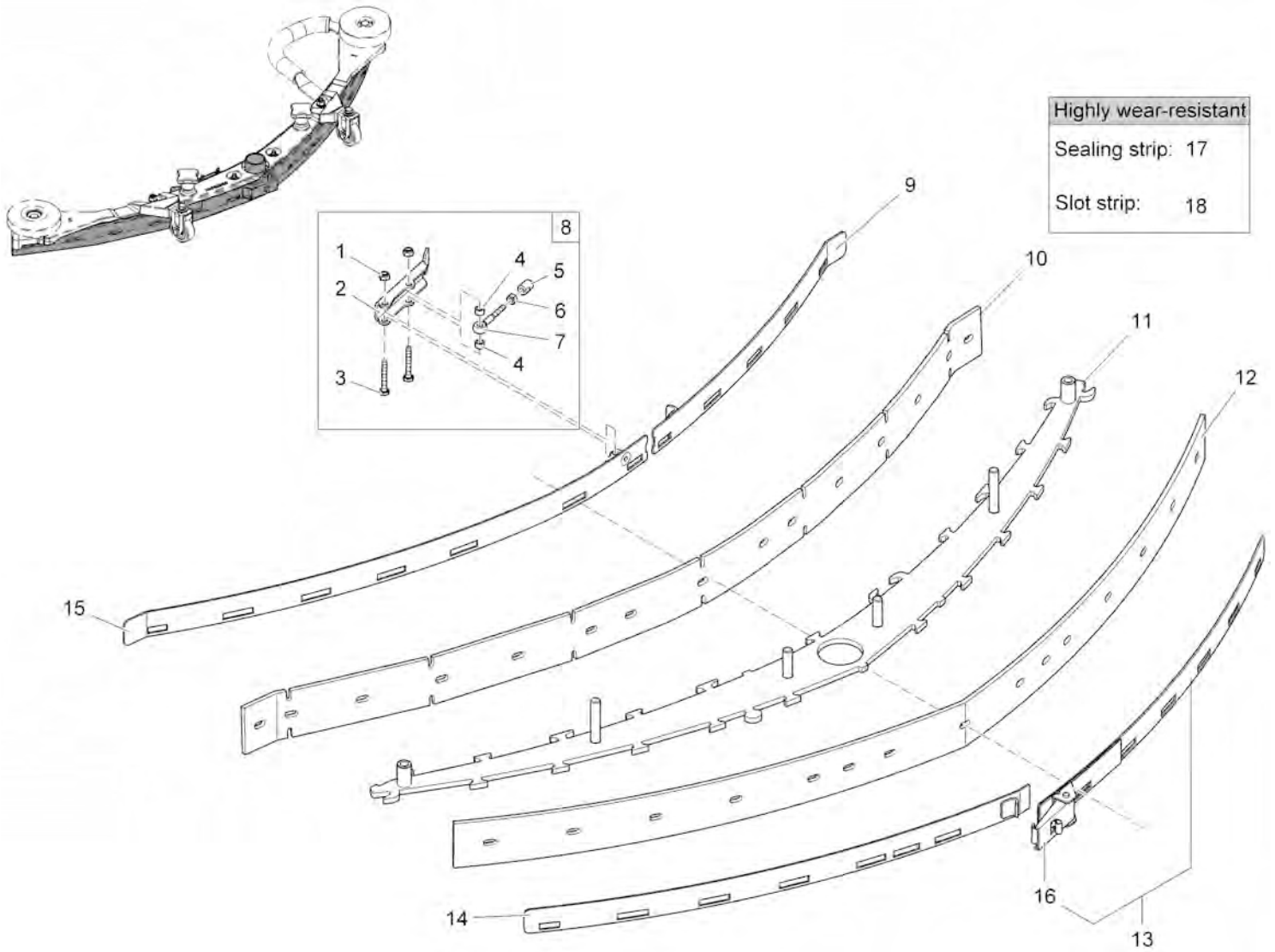


New Style Squeegee Assembly

Assembly	Description	Page
01178270-1	Squeegee 950mm part 1 Not offered as an assembly	73
01178270-2	Squeegee 950mm part 2 Not offered as an assembly	75

Squeegee 950mm part
1 Rev.D 09/12

New Style Squeegee Assembly

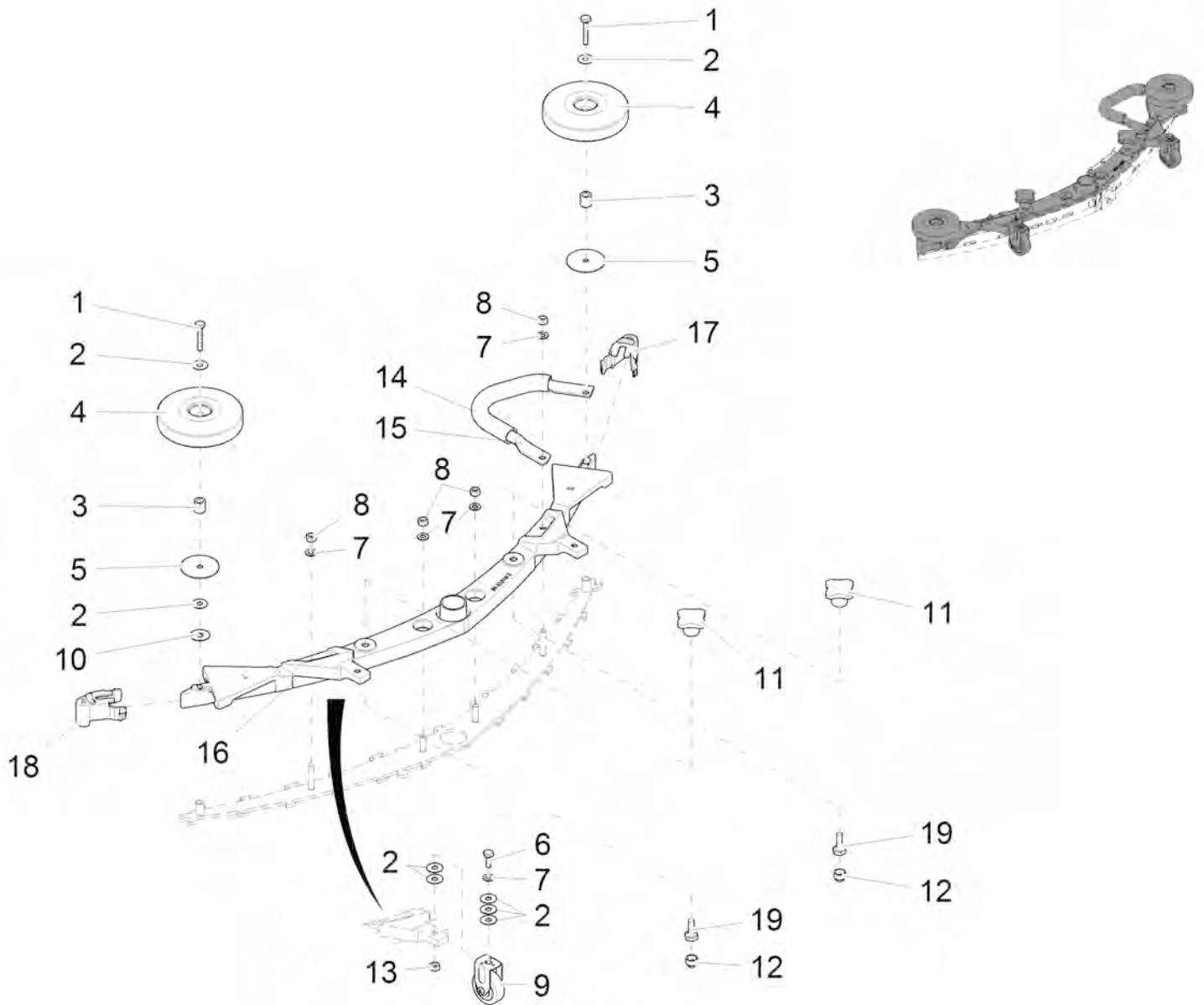


Squeegee 950mm part 1
(01178270-1) Rev.D 09/12

New Style Squeegee Assembly

Item	Spare part number	Description	Qty.	Unit	Remarks
1	12040283	Hex. Nut	2		
2	172234	Lever	1		
3	11039765	Hexagon screw	2		
4	90514506	Bushing	2		
5	90513631	Pressure piece	1		
6	12022430	Hex. Nut	1		
7	11518313	Eye bolt	1		
8	00009010	Lock suction unit	1		
9	96125828	Front tension band	1		
10	90493560	Squeegee Blade, Front	1		
11	01178350	Base plate	1		
12	90494139	Squeegee Blade, Rear	1		
13	96125851	Rear tension band	1		
14	96125844	Rear tension band	1		
15	96125836	Front tension band	1		
16	17383209	Lock	1		
17	01179180	Squeegee Blade, Rear Linatex	1		for 95cm squeegee
18	01179170	Squeegee Blade, Front Linatex	1		for 95cm squeegee

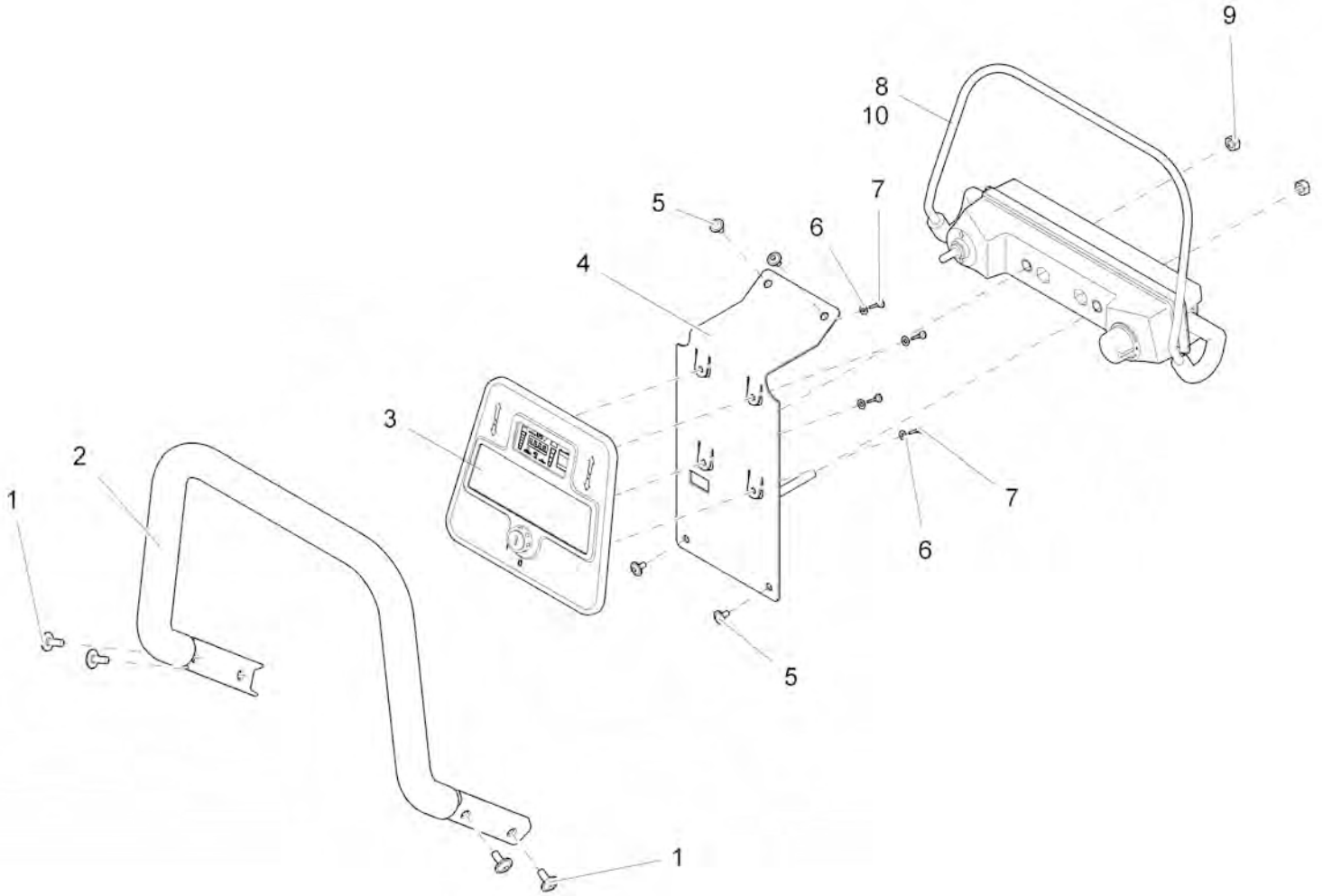
New Style Squeegee Assembly



Squeegee 950mm part 2
(01178270-2) Rev.D 09/12

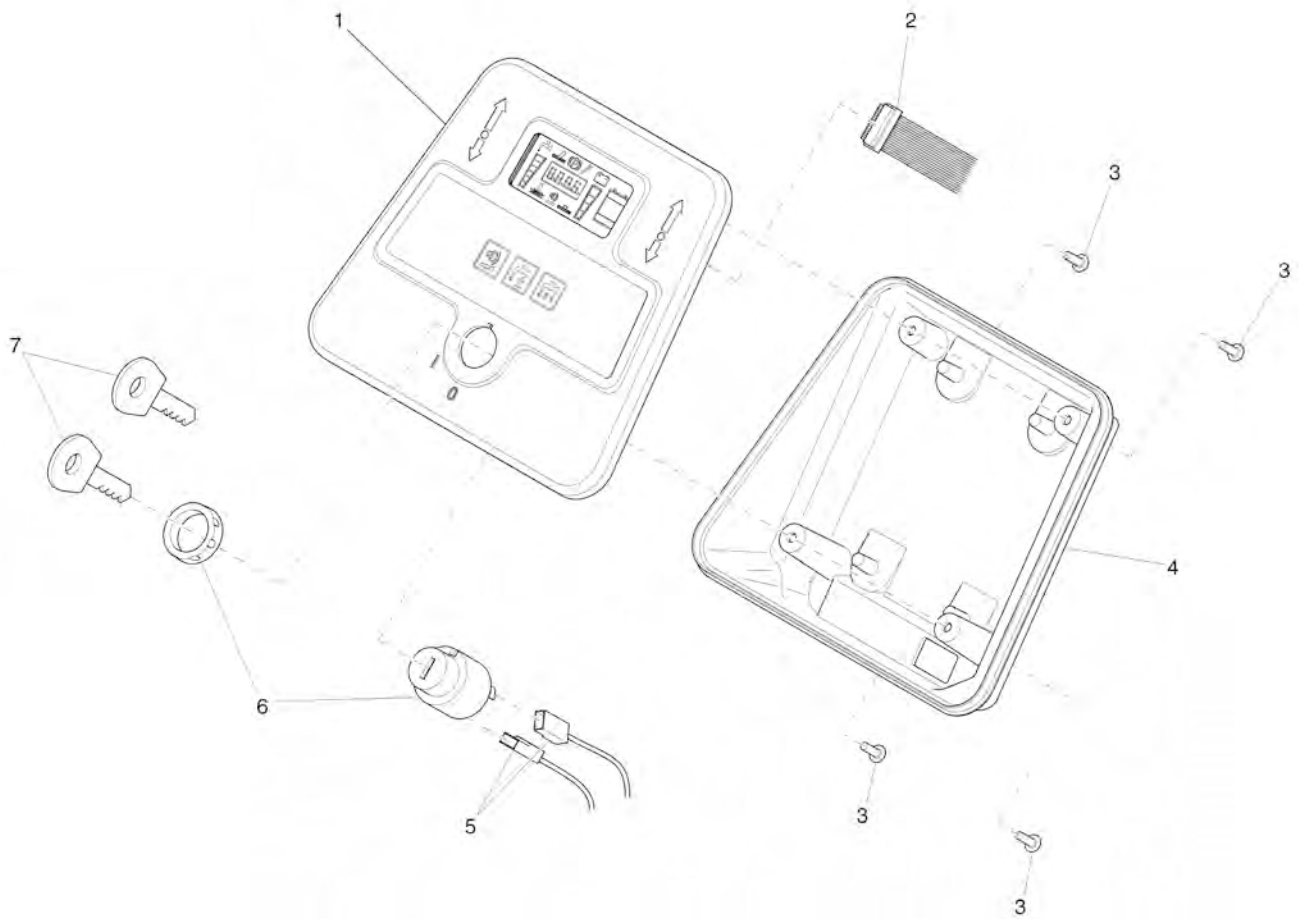
New Style Squeegee Assembly

Item	Spare part number	Description	Qty.	Unit	Remarks
1	00059460	Hex.bolt	2		
2	90531112	Spacer	13		
3	90199019	Pipe	2		
4	90548397	Deflector roller	2		
5	01178290	Conical spring washer	2		
6	01162510	Hexagon screw	2		
7	730609	Washer	6		
8	12040259	Hex. Nut	4		
9	90513094	Fixed castor	2		
10	00902280	Washer	1		
11	01274760	Star handle yellow	2		
12	15592033	Lens cap	2		
13	00971400	Hex. Nut	2		
14	25842105	Hose	0,260		
15	01178280	Bracket	1		
16	90523044	Squeegee Casting 950mm	1		
17	90546235	Protection cap R.H.	1		
18	905462243	Protection cap L.H.	1		
19	11039328	Hexagon screw	2		



Operation handle (97096523)
 Rev.D 09/12

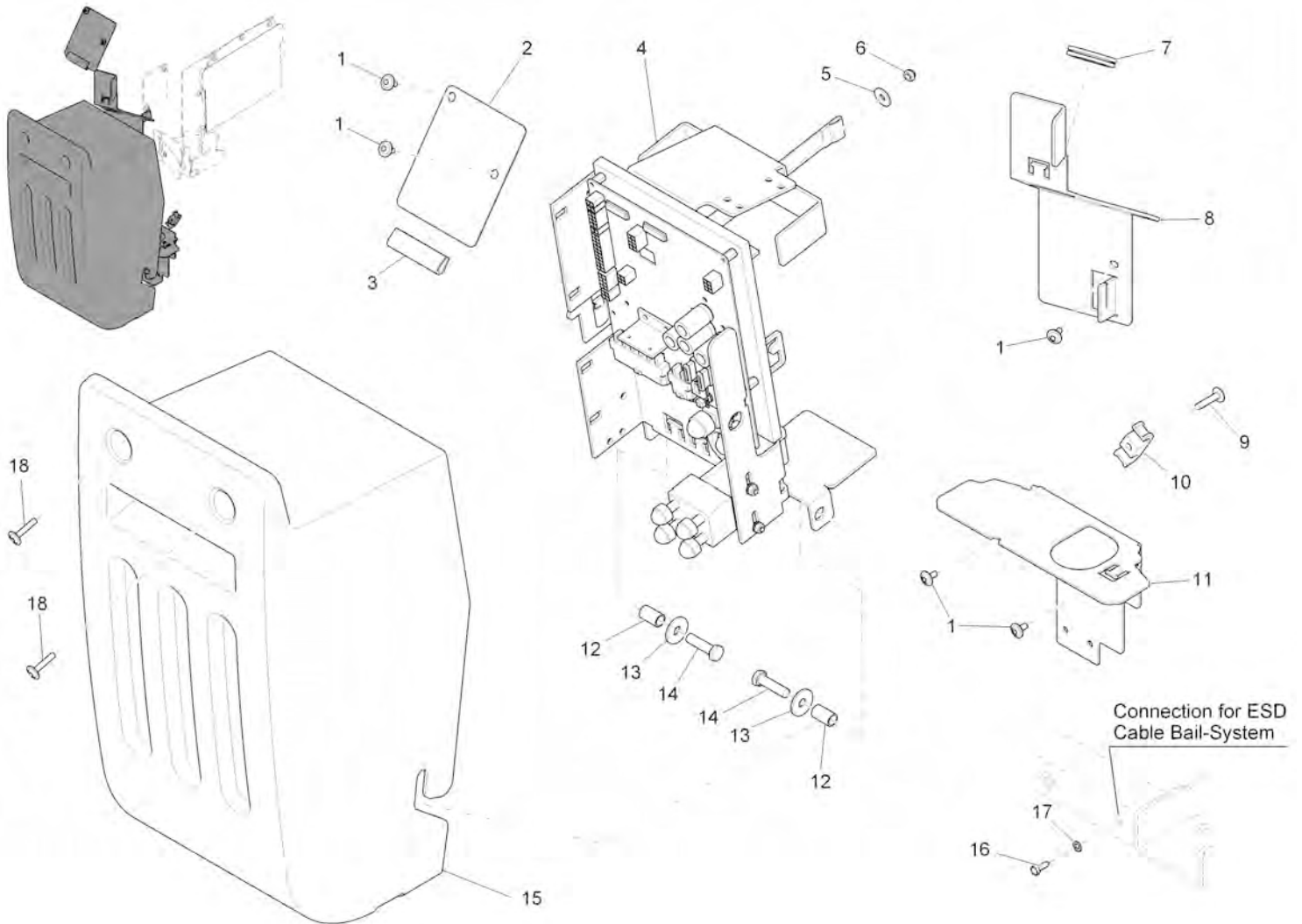
Item	Spare part number	Description	Qty.	Unit	Remarks
1	11177253	Lens flange screw	4		
2	96122286	Handle bar	1		
3	97091839	Console cpl.	Page	79	
4	96117585	Sheet metal	1		
5	11177179	Lens flange screw	4		
6	12310272	Washer	4		
7	11709011	Screw	4		
8	97096069	Bail system	1		
9	12040051	Hex. Nut	2		
10	90516204	Rubber cap	2		



Console cpl. (97091839)
Rev.D 09/12

Item	Spare part number	Description	Qty.	Unit	Remarks
1	01079090	Console B70/B90	1		
2	90511130	Ribbon cable	1		
3	11702123	Screw	4		
4	01078940	Console	1		
5	90518150	Cable key switch	1		
6	90323437	Key switch	1		
7	00745890	Set (2pc.) key	1		

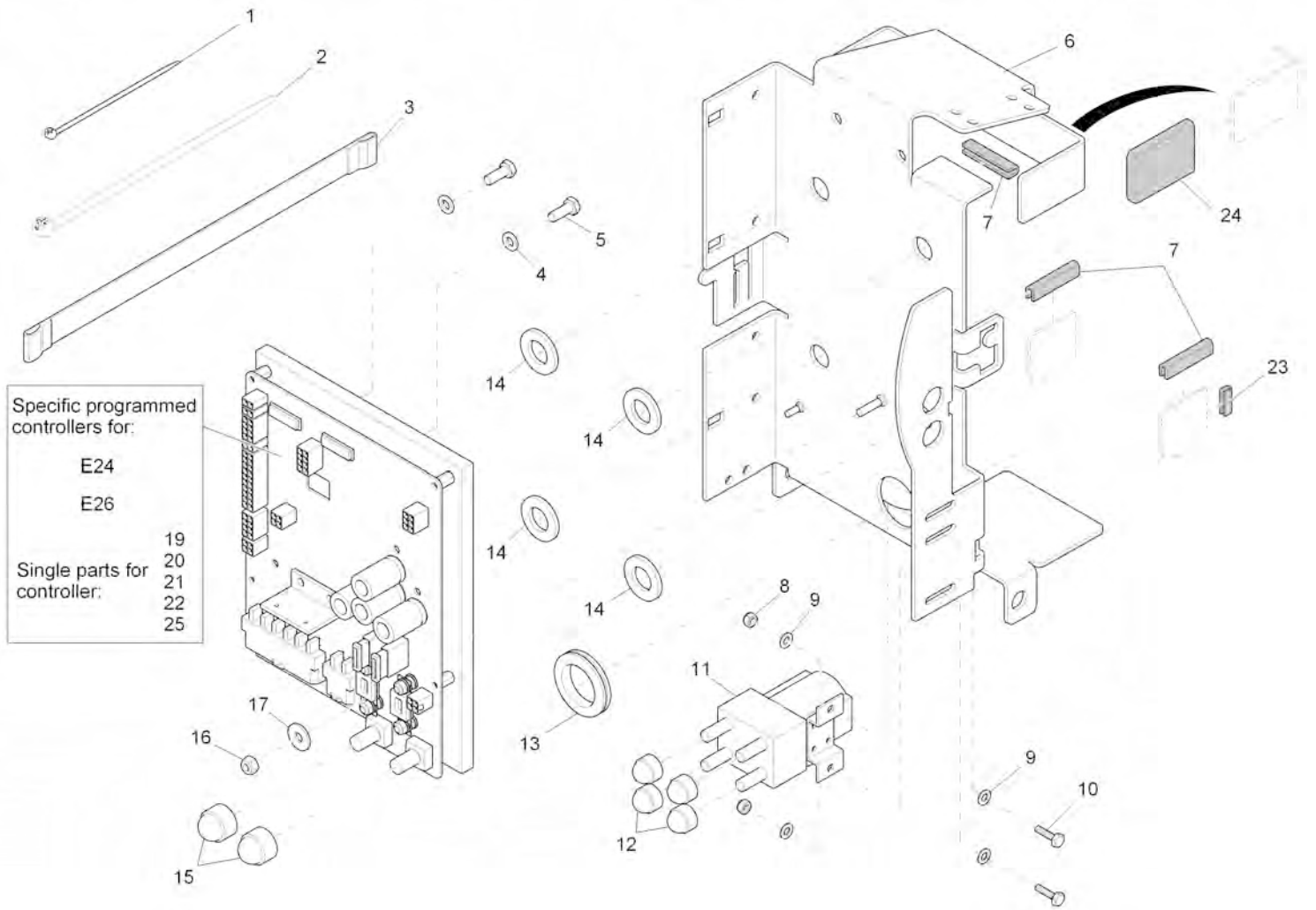
Electric part 1
Rev.D 09/12



Electric part 1 (97098990-1)
Rev.D 09/12

Item	Spare part number	Description	Qty.	Unit	Remarks
1	11177179	Lens flange screw	5		
2	90509803	Sheet metal	1		
3	25582024	Edge protection - Sold by meter	10.5	MM	
4	97099006	Retainer cpl.	Page	83	
5	12347027	Washer	1		
6	12040044	Hex. Nut	1		
7	15595259	Bushing	1		
8	90540907	Sheet metal	1		
9	11177161	Lens flange screw	1		
10	17521048	Clamp	1		
11	01078590	Clamping plate	1		
12	90499377	Bushing	2		
13	12332029	Washer	2		
14	11038254	Hexagon screw	2		
15	01078270	Covering	1		
16	01073850	Tapping screw	1		
17	12518080	Lock washer	1		
18	11177261	Lens flange screw	2		

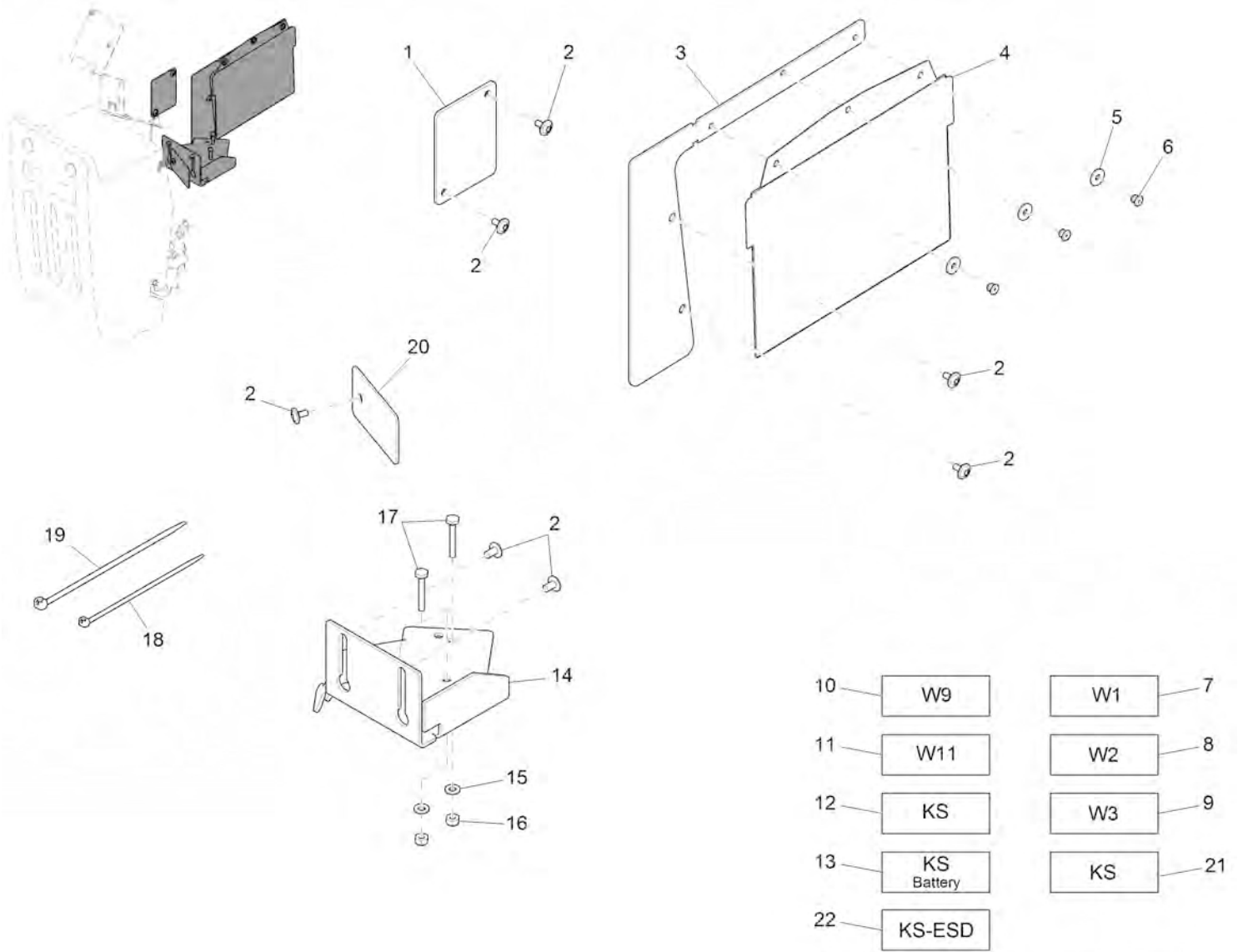
Retainer cpl.
Rev.D 09/12



Retainer cpl. (97099006)
Rev.D 09/12

Item	Spare part number	Description	Qty.	Unit	Remarks
1	361218	Cable tie	4		
2	828062	Cable tie	8		
3	90517699	Webbing	1		
4	12310033	Washer	2		
5	11038072	Hex.bolt	2		
6	96118963	Retainer	1		
7	25583022	Edge protection - Sold by the meter	120mm		
8	12040036	Hex. Nut	2		
9	12310025	Washer	4		
10	11038049	Hex.bolt	2		
11	90331026	Solenoid switch	1		
12	15592033	Lens cap	4		
13	15595259	Bushing	1		
14	90510017	Washer	4		
15	15592041	Lens cap	2		
16	12040044	Hex. Nut	1		
17	12332011	Washer	1		
19	00059580	Fuse 125 Amp 80 Volt			
20	00902440	Fuse 50 Amp 80 Volt			
21	00733630	Fuse 10 Amp			
22	00972430	Fuse link 2 Amp 32 Volt			
23	25583022	Edge protection - Sold by the meter	30mm		
24	01074240	Cap	2		
25	00906120	Fuse			
E24	01079140-E24	Controller, Main	1		Programmed specifically for E24

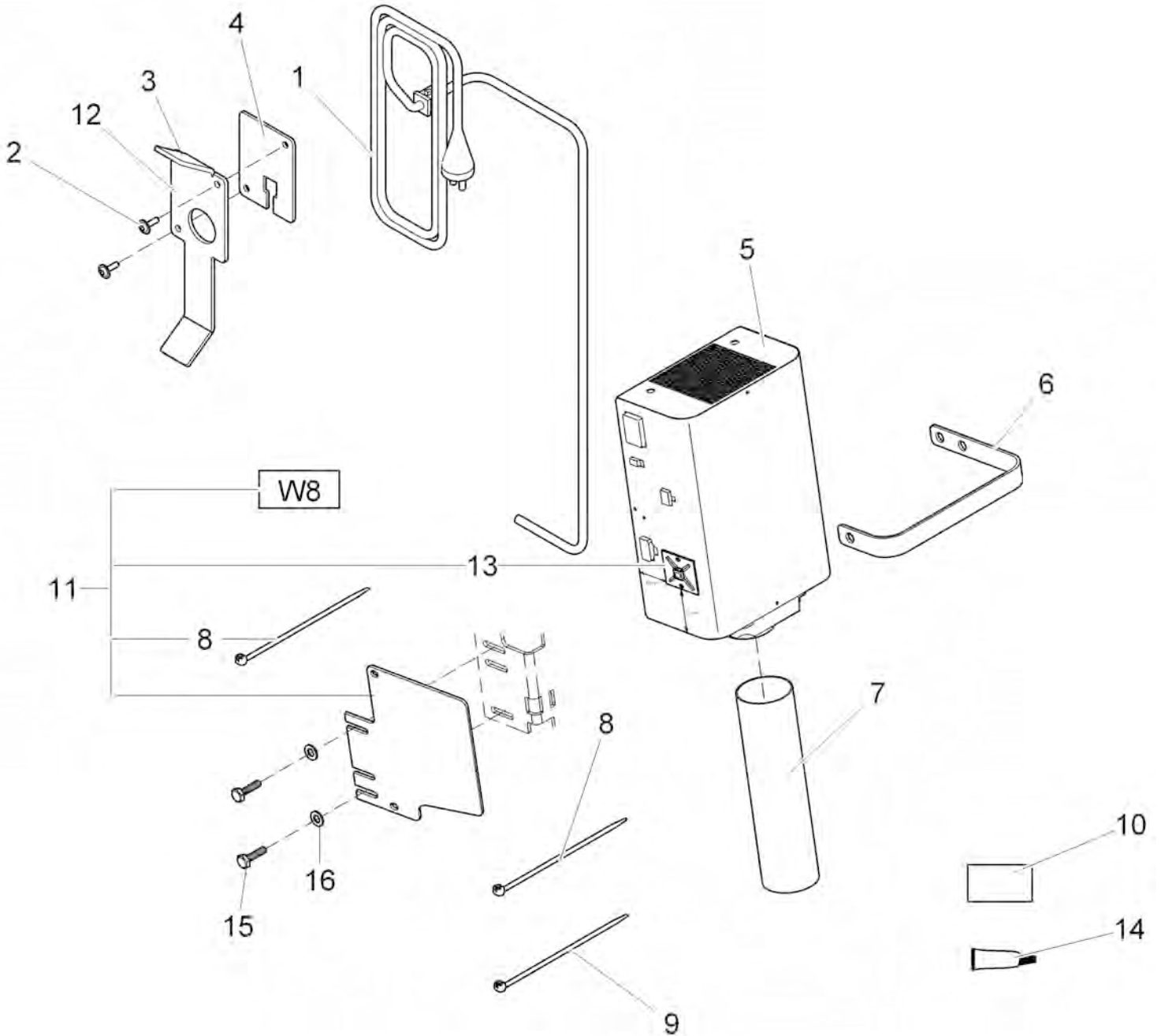
Electrics part 2
 Rev.D 09/12



Electrics part 2 (97098990-2)
Rev.D 09/12

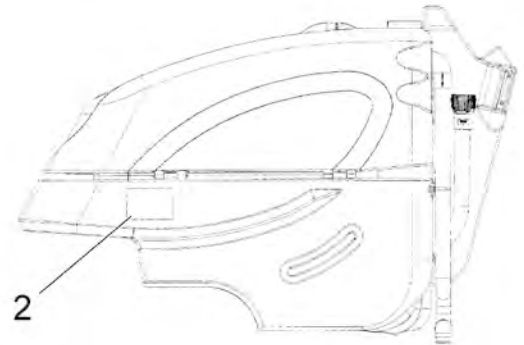
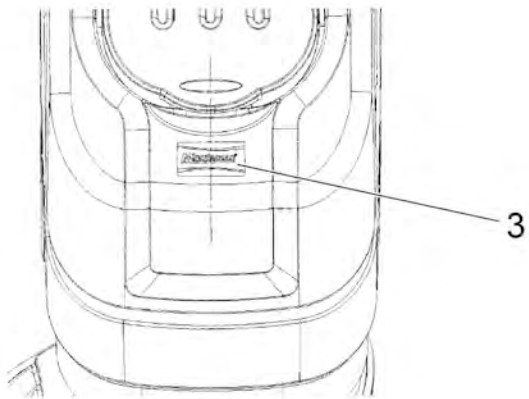
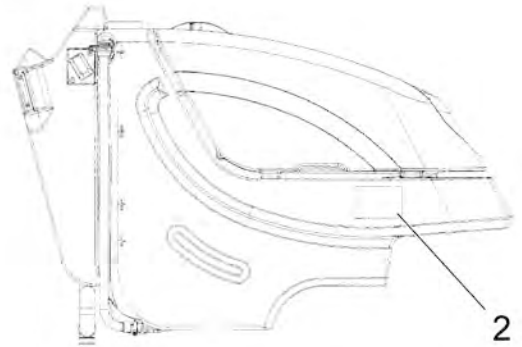
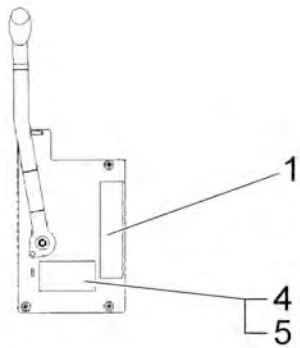
Item	Spare part number	Description	Qty.	Unit	Remarks
1	90518119	Cover	1		
2	11177179	Lens flange screw	7		
3	90511346	Sheet metal	1		
4	90465774	Bag	1		
5	12332052	Washer	3		
6	13165196	Blind rivet	3		
7	97101344	Wiring harness W1	1		
8	97094254	Wiring harness W2	1		
9	03007800	Wiring harness	1		
10	03007790	Wiring harness	1		
11	97101414	Wiring harness W11	1		
12	97101489	Set of cables	1		
13	97101497	Set of cables battery	1		
14	90512146	Sheet metal	1		
15	12310033	Washer	2		
16	12040044	Hex. Nut	2		
17	00535110	Hex.bolt	2		
18	828062	Cable tie	12		
19	361218	Cable tie	18		
20	90511320	Sheet metal	1		
21	03007780	Cable loom	1		
22	---	Spare part on request	1		97125231 Cable loom ESD

Battery charger 24V 22A
Rev.D 09/12



Battery charger 24V 22A (97099436)
Rev.D 09/12

Item	Spare part number	Description	Qty.	Unit	Remarks
1	90532987	Power cable	1		
2	11177060	Lens flange screw	2		
3	90463746	Cap	2		To stick on pos.12 with Loctite!
4	90533266	Cover	1		
5	97059398K	On-board charger 24V 22A	1		
6	90517665	Tension band	1		
7	90512575	Hose	3		
8	828062	Cable tie	8		
9	361218	Cable tie	1		
10	97101372	Wire harness W6	1		
11	K-E24261668	Retool kit for BATTERY CHARGER 30A	1		Charger is not included
12	01079390	Cable retainer	1		
13	17526120	Attachment base	1		
14	28030104	Grease	1		
15	11038049	Hex.bolt	1		
16	12310025	Washer	1		
W8	97095111	Wiring harness W8	1		



Labels (97099022)
Rev.D 09/12

Item	Spare part number	Description	Qty.	Unit	Remarks
1	17267212	Decal DETAILS	1		
2	03007830	Decal E24	2		
3	715914	Decal MINUTEMAN	1		
4	NA	Type plate MINUTEMAN USA	1		
5	13165014	Blind rivet	2		

Minuteman International Made Simple Commercial Limited Warranty

Minuteman International, Inc. warrants to the original purchaser/user that the product is free from defects in workmanship and materials under normal use. Minuteman will, at its option, repair or replace without charge, parts that fail under normal use and service when operated and maintained in accordance with the applicable operation and instruction manuals. All warranty claims must be submitted through and approved by factory authorized repair stations.

This warranty does not apply to normal wear, or to items whose life is dependent on their use and care, such as belts, cords, switches, hoses, rubber parts, electrical motor components or adjustments. Parts manufactured by Minuteman are covered by and subject to the warranties and/or guarantees of their manufacturers. Please contact Minuteman for procedures in warranty claims against these manufacturers.

Special warning to purchaser -- Use of replacement filters and/or prefilters not manufactured by Minuteman or its designated licensees, will void all warranties expressed or implied. A potential health hazard exists without original equipment replacement.

All warranted items become the sole property of Minuteman or its original manufacturer, whichever the case may be.

Minuteman disclaims any implied warranty, including the warranty of merchantability and the warranty of fitness for a particular purpose. Minuteman assumes no responsibility for any special, incidental or consequential damages.

This limited warranty is applicable only in the U.S.A. and Canada, and is extended only to the original user/purchaser of this product. Customers outside the U.S.A. and Canada should contact their local distributor for export warranty policies. Minuteman is not responsible for costs or repairs performed by persons other than those specifically authorized by Minuteman. This warranty does not apply to damage from transportation, alterations by unauthorized persons, misuse or abuse of the equipment, use of non-compatible chemicals, or damage to property, or loss of income due to malfunctions of the product.

If a difficulty develops with this machine, you should contact the dealer from whom it was purchased.

This warranty gives you specific legal rights, and you may have other rights which vary from state to state. Some states do not allow the exclusion or limitation of special, incidental or consequential damages, or limitations on how long an implied warranty lasts, so the above exclusions and limitations may not apply to you.

Cord Electric Group Three years parts, two years labor, ninety days travel (Not to exceed two hours)

Exceptions..... Port-A-Scrub, one year parts, six months labor
MPV 13, one year parts
V-14, one year parts, one year labor
MPV 14 and 18, two years parts, one year labor
RapidAir blower, one year parts, one year labor
Explosion-Proof Vacuum, one year parts, one year labor
X12 and X12H, one year parts, one year labor
TRS 14, one year parts, one year labor

Battery Operated Group..... Three years parts, two years labor, ninety days travel

(Not to exceed two hours)
Exceptions..... Sweepers, one year parts, one year labor, ninety days travel
(Not to exceed two hours)

Internal Combustion Group.... One year parts, one year labor, ninety day travel

(Not to exceed two hours)

Battery Chargers..... One year replacement

Replacement Parts..... Ninety days

Batteries..... 0-3 months replacement, 4-12 months pro-rate

Polypropylene Plastic Tanks... Ten years, no additional labor